



MS201 x10



MS168 x10



PS023 x12

(1:1)



FB003 (M8 x 65) x 20



FW002 (M8) x 52



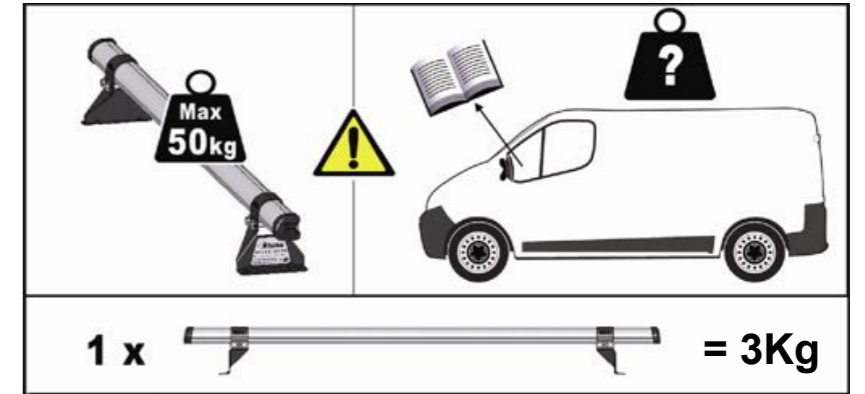
FN006 (M8) x 20



FS015 (M8 x 25) x 12



FW009 (M8) x 12



13mm x 2

