

# Customer Fitting Instructions, Page 1 of 2



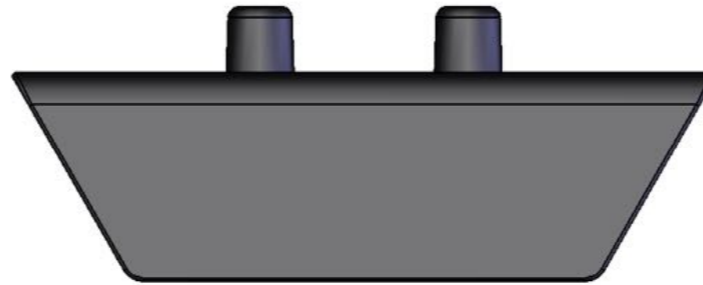
Moulded Load Stop (LS160) x 6



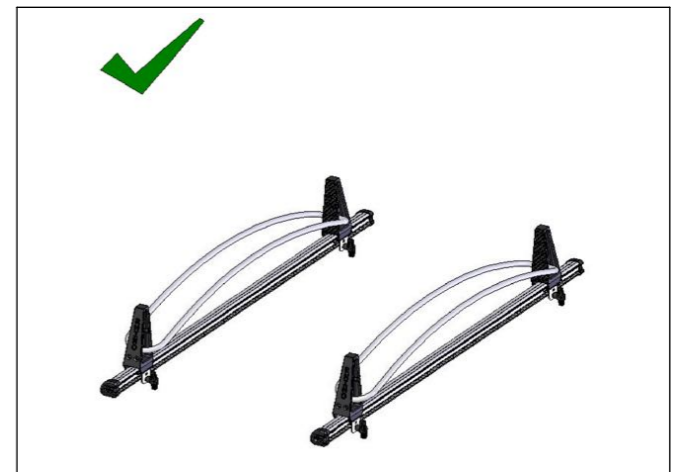
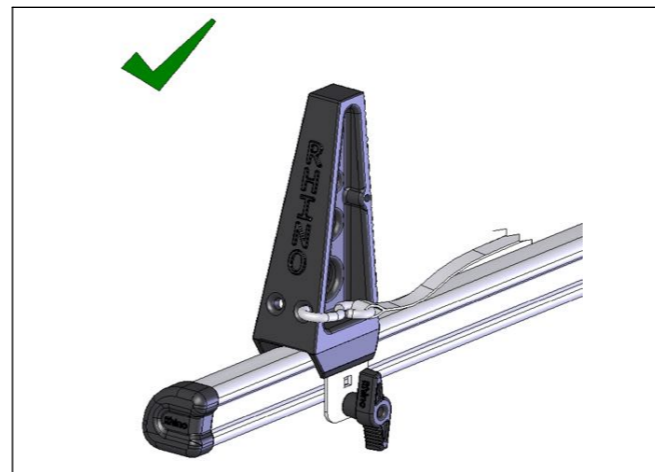
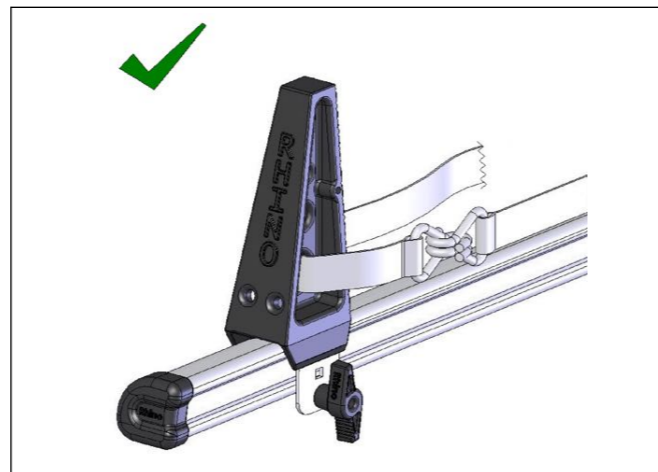
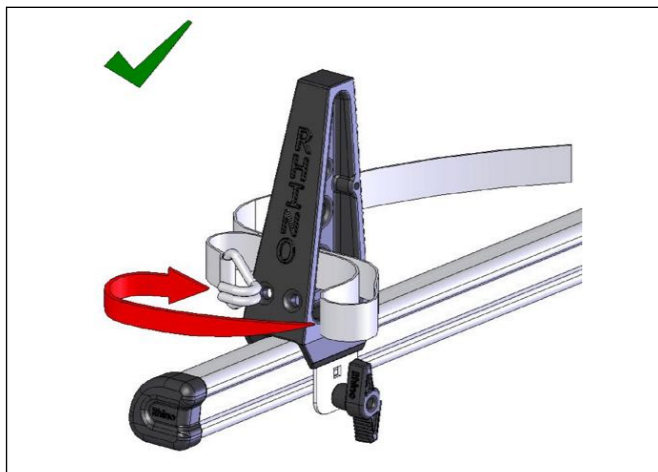
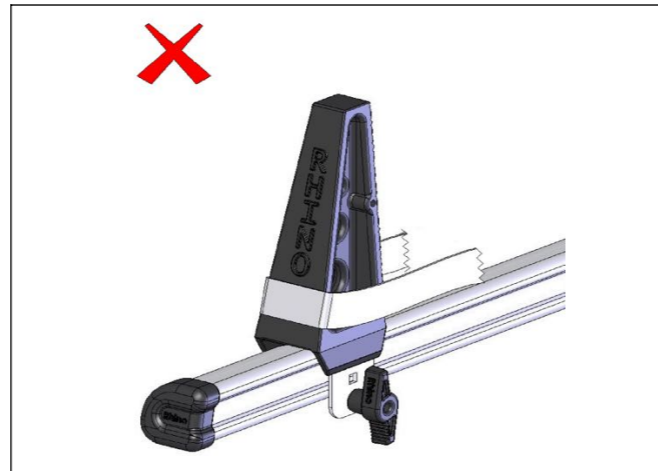
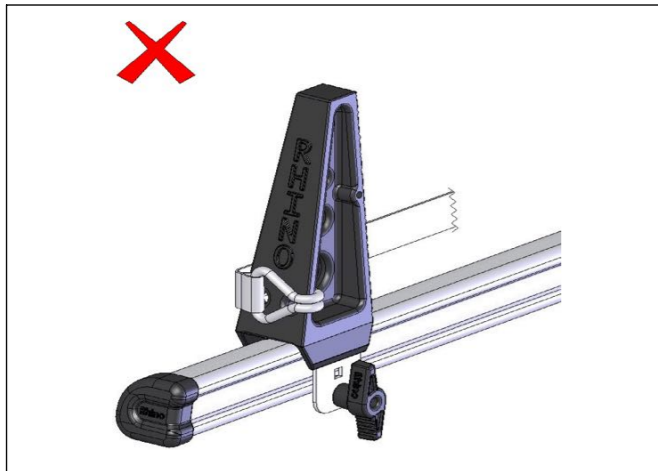
M6 x 60 Coach Bolt (FS008) x 6



M6 Hand Knob (PS042) x 6



Fillet Pad (PS044) x 6



DRAWING NO:  
RALS3 (2of3)

ISSUE:  
a

DESCRIPTION:  
3 x Pair of Load Stops, Boxed

	SIGNATURE:	DATE:
DRAWN:	<i>K. Broadbent</i>	29/05/13
CHECKED:	<i>D. Gallagher</i>	29/05/13
APP'VD:	<i>V. Davies</i>	29/05/13

