

Customer Fitting Instructions, Page 1 of 2



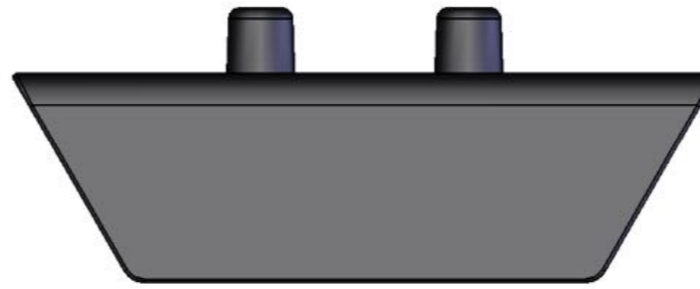
Moulded Load Stop (LS160) x 4



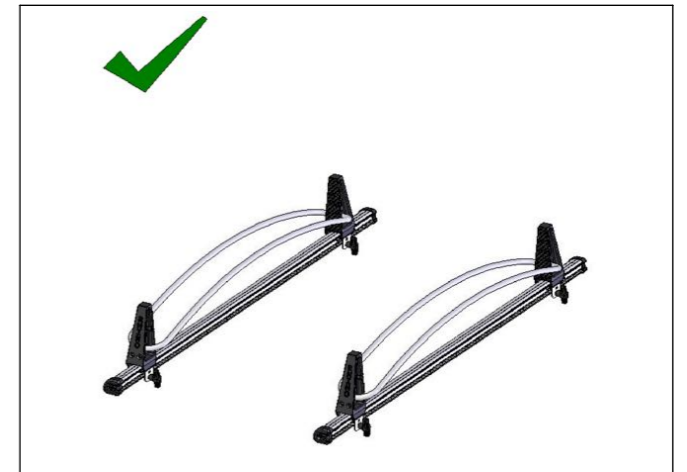
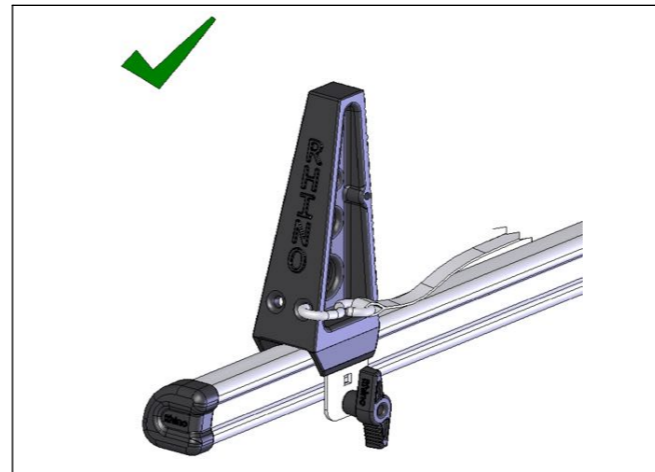
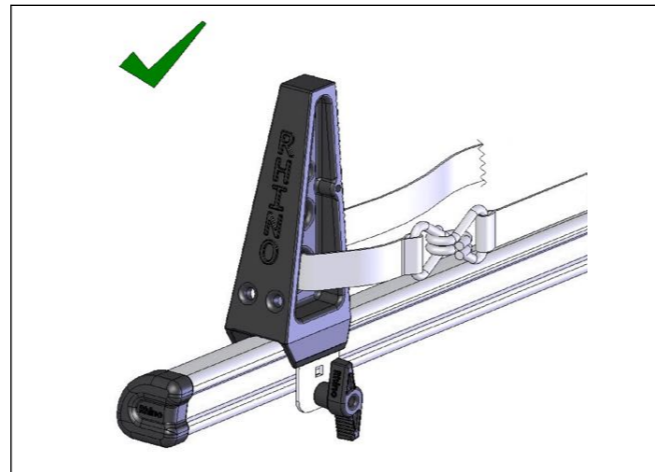
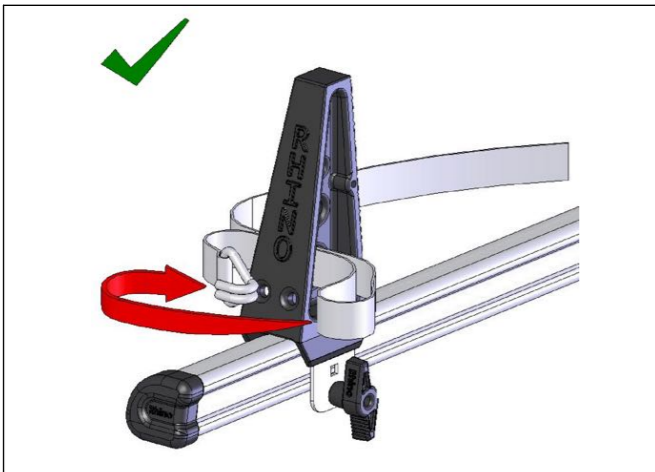
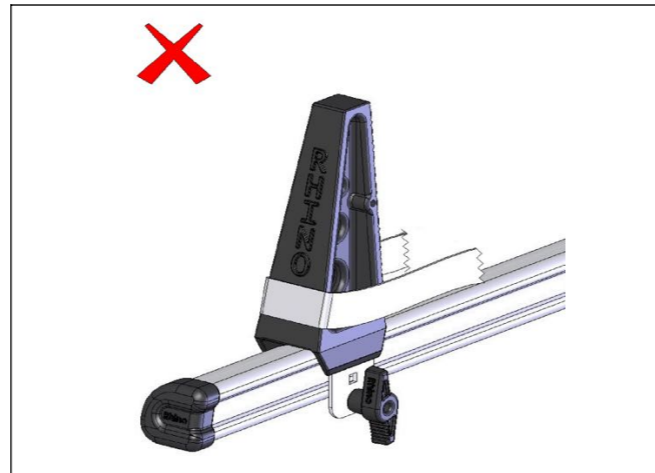
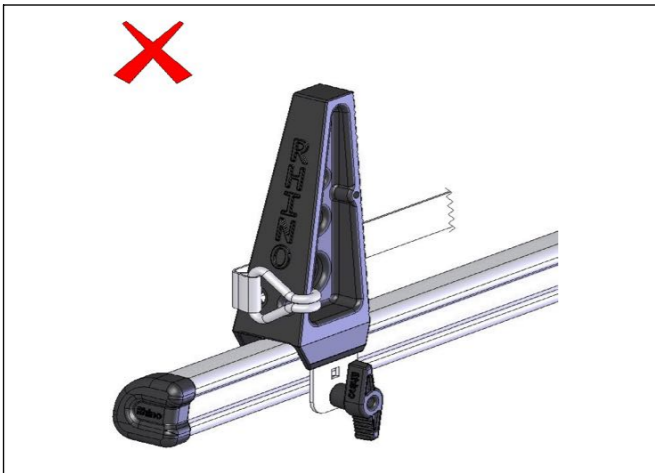
M6 x 60 Coach Bolt (FS008) x 4



M6 Hand Knob (PS042) x 4



Fillet Pad (PS044) x 4



DRAWING NO:  
RALS2 (2of3)

ISSUE:  
a

DESCRIPTION:  
2 x Pair of Load Stops, Boxed

	SIGNATURE:	DATE:
DRAWN:	<i>K. Broadbent</i>	08/03/13
CHECKED:	<i>D. Gallagher</i>	08/03/13
APP'VD:	<i>V. Davies</i>	08/03/13

