

Customer Fitting Instructions, Page 1 of 4

<h2>R596</h2>		DISPATCH/JUMPY/SCUDO/EXPERT L2, H2, TWIN DOORS	 <p>NB: THIS KIT IS FOR HIGH ROOF VEHICLES WITHOUT FACTORY FITTED FIXING POINTS AND REQUIRES DRILLING OF THE VEHICLE ROOF.</p>
FRONT DD	REAR PQ	 <p>31kg</p>	

--	--	--

--	--	--

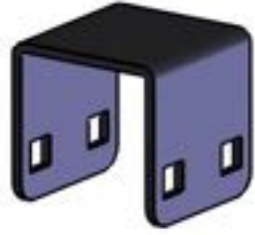
--	--	--



DRAWING NO: JB3R	ISSUE:	DESCRIPTION: "JB" 6 Leg Fitting Kit Modular Rack
----------------------------	--------	------------------------------------------------------------

	SIGNATURE:	DATE:
DRAWN:		
CHECK'D:		
APP'VD:		

Customer Fitting Instructions, Page 2 of 4



MS161 x 6



MS168 x 4



MS176 x 2



29201113 x 2



PS023 x 4

(1:1)



FB003 (M8 x 65) x 12



FS035 (M8 x 40) x 2



FB006 (M8 x 30) x 4



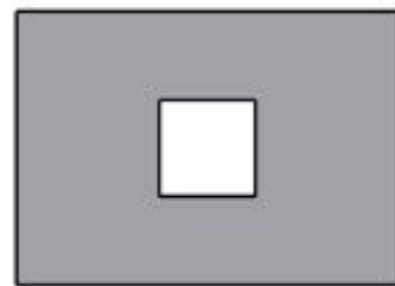
FS015 (M8 x 25) x 4



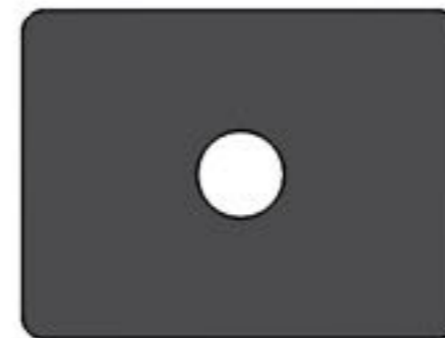
FW002 (M8) x 38



FN006 (M8) x 22



MS209 x 6



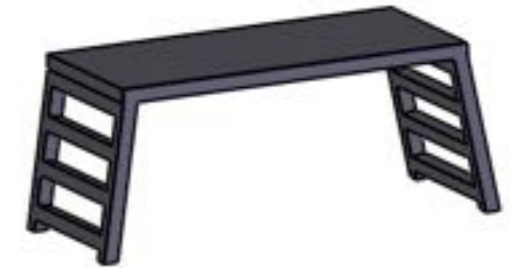
PS020 x 6



2 Person Fitting



13mm Spanner/Ratchet x 2



Platform/ Step Ladder x 2



4mm Drill Bit (or similar)



8-9 mm Drill Bit



Drill x 1



DRAWING NO:
JB3R

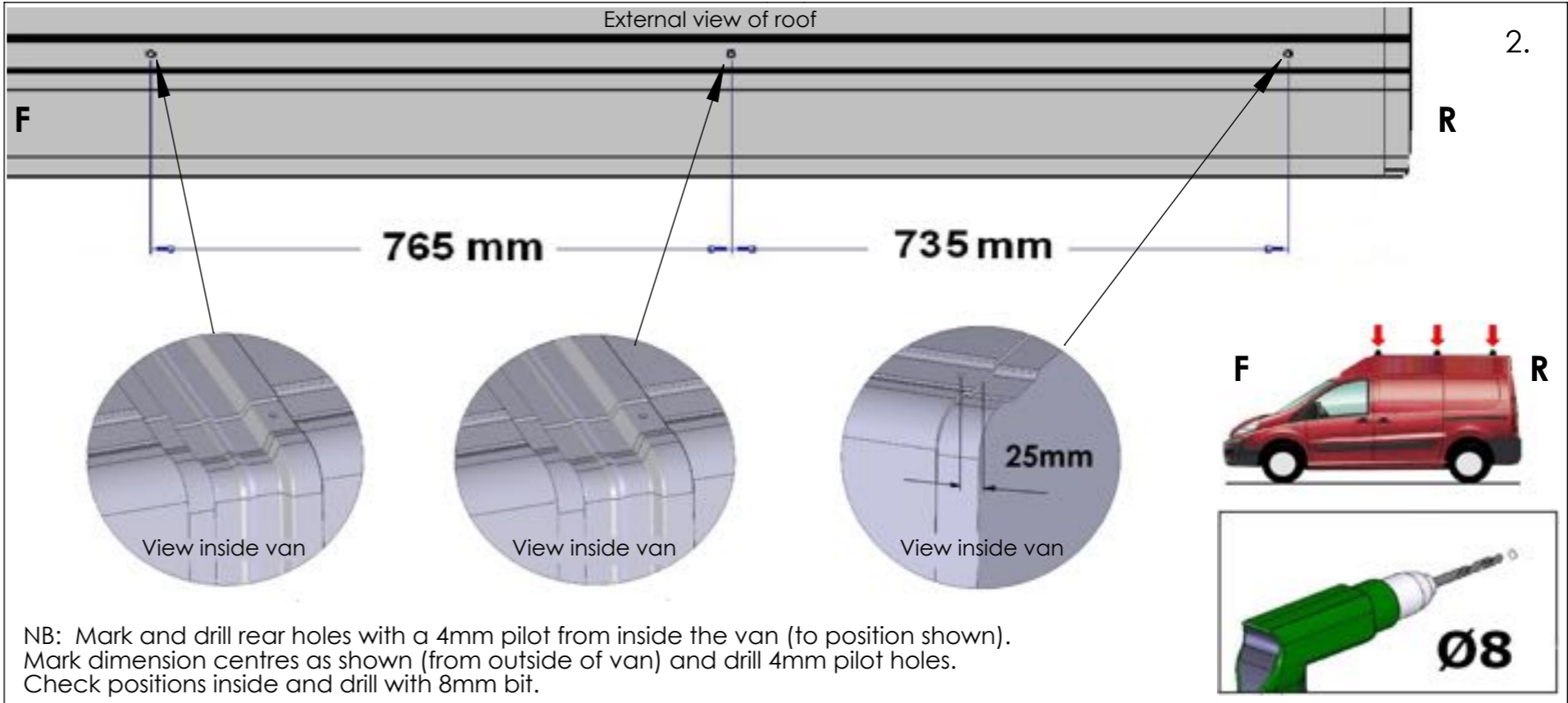
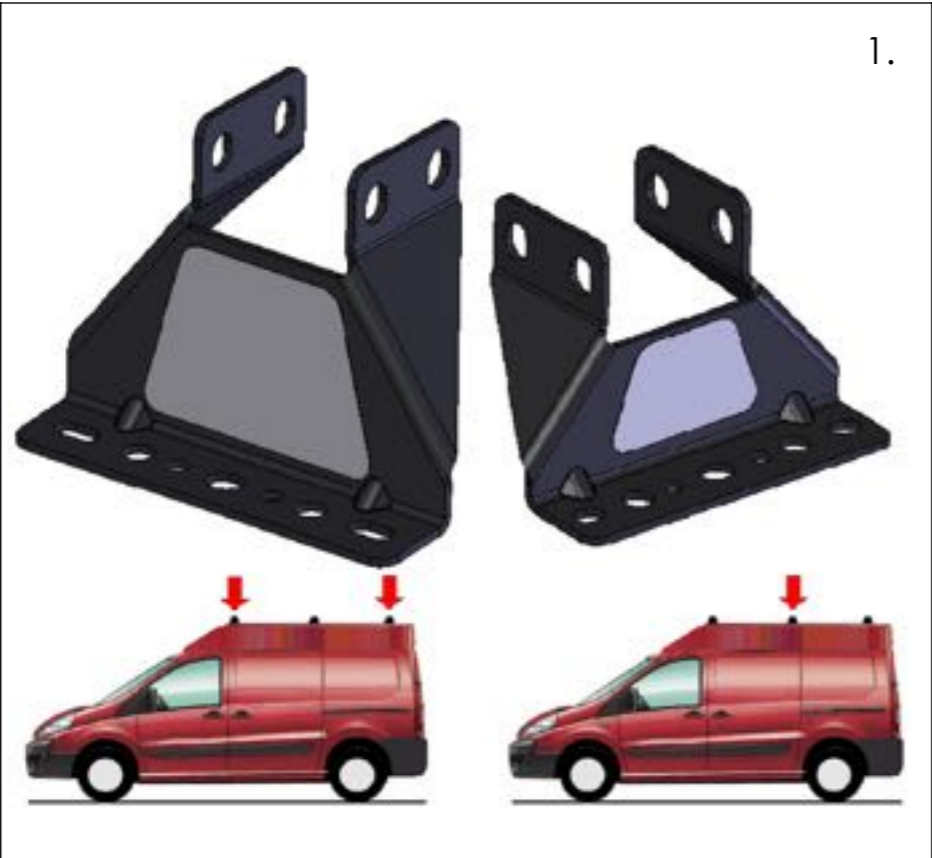
ISSUE:

DESCRIPTION:

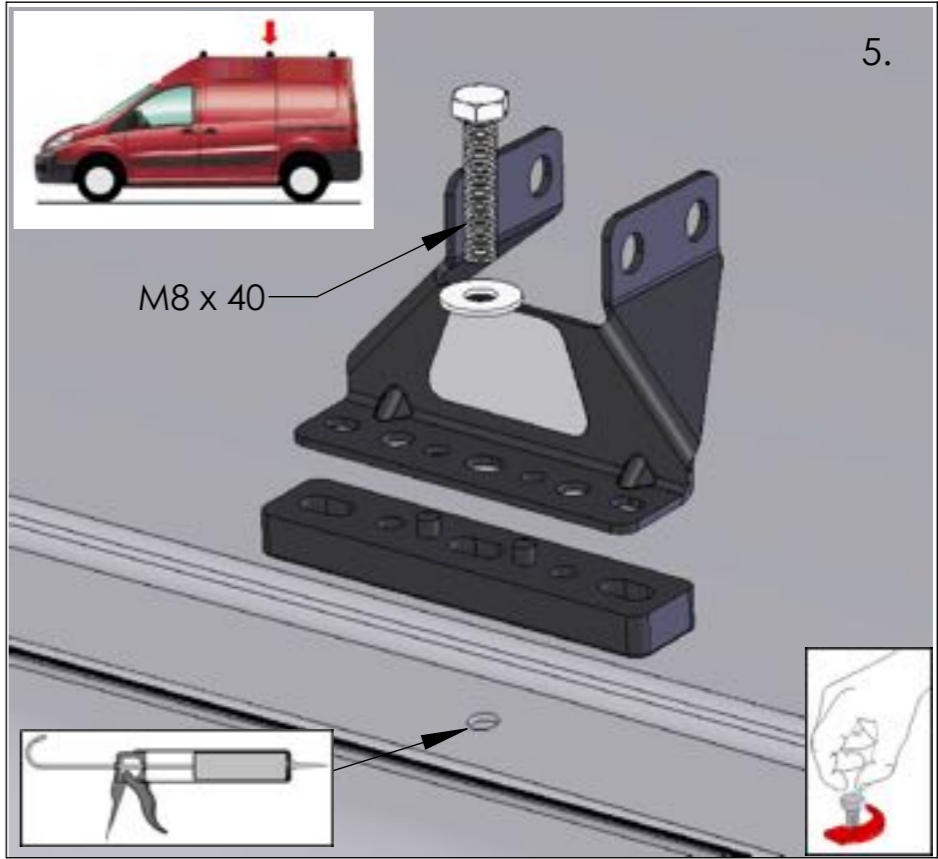
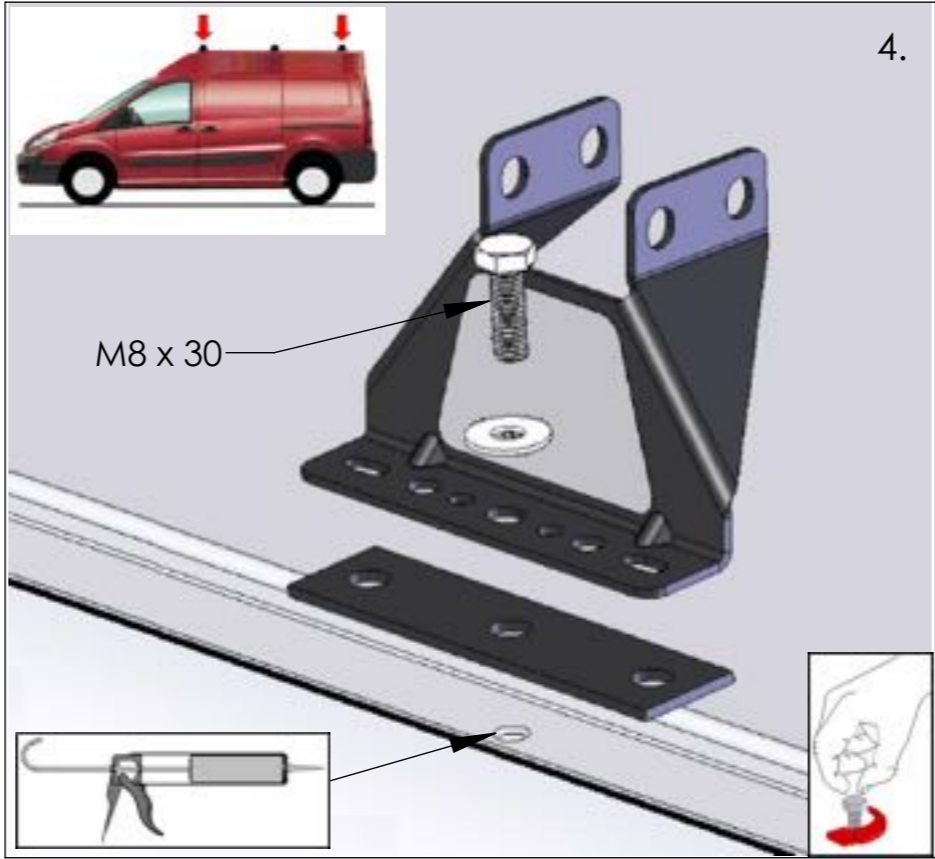
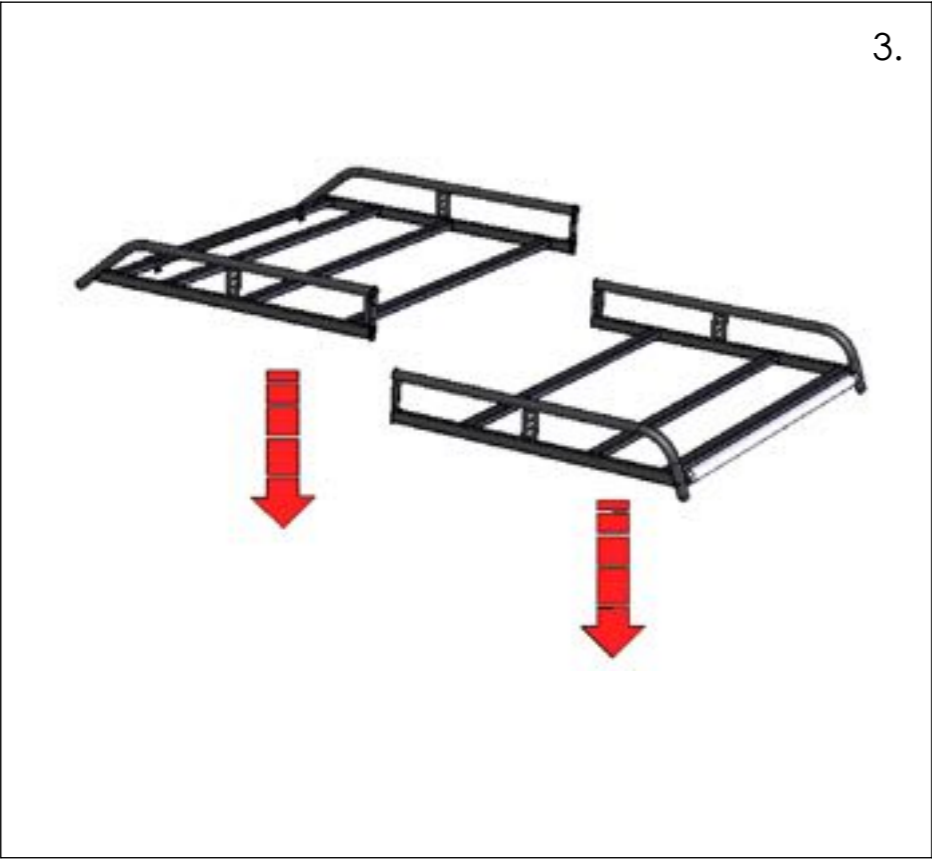
"JB" 6 Leg Fitting Kit Modular Rack

	SIGNATURE:	DATE:
DRAWN:		
CHECK'D:		
APP'VD:		

Customer Fitting Instructions, Page 3 of 4



NB: Mark and drill rear holes with a 4mm pilot from inside the van (to position shown). Mark dimension centres as shown (from outside of van) and drill 4mm pilot holes. Check positions inside and drill with 8mm bit.



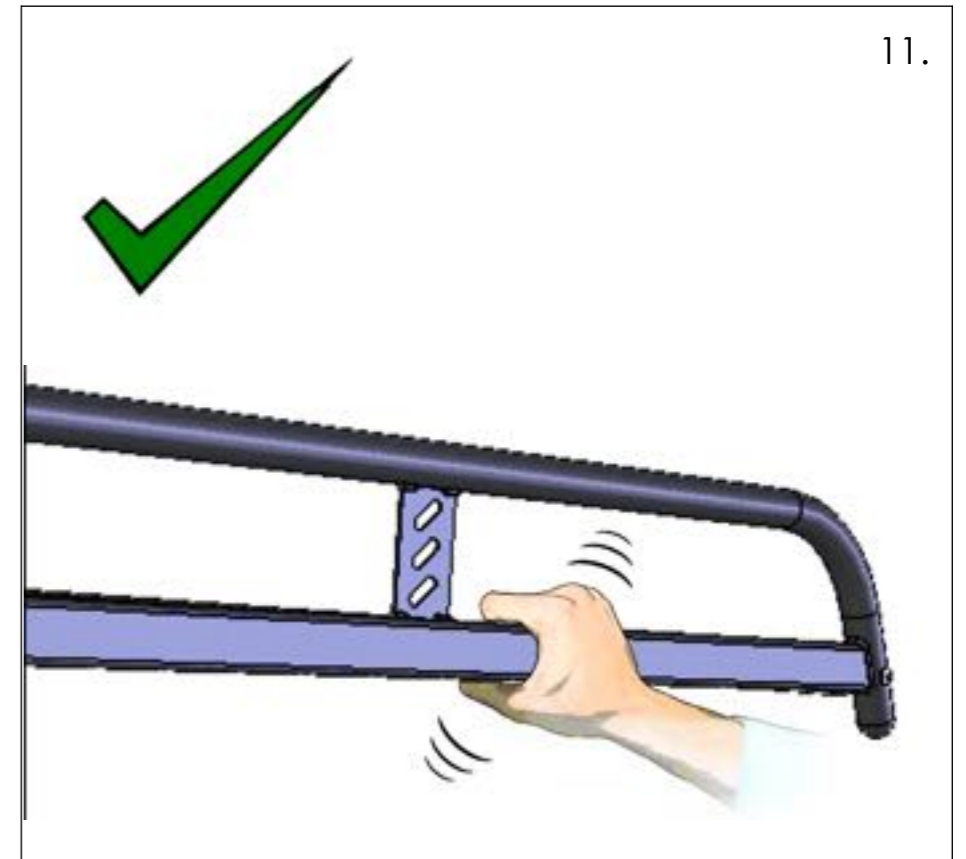
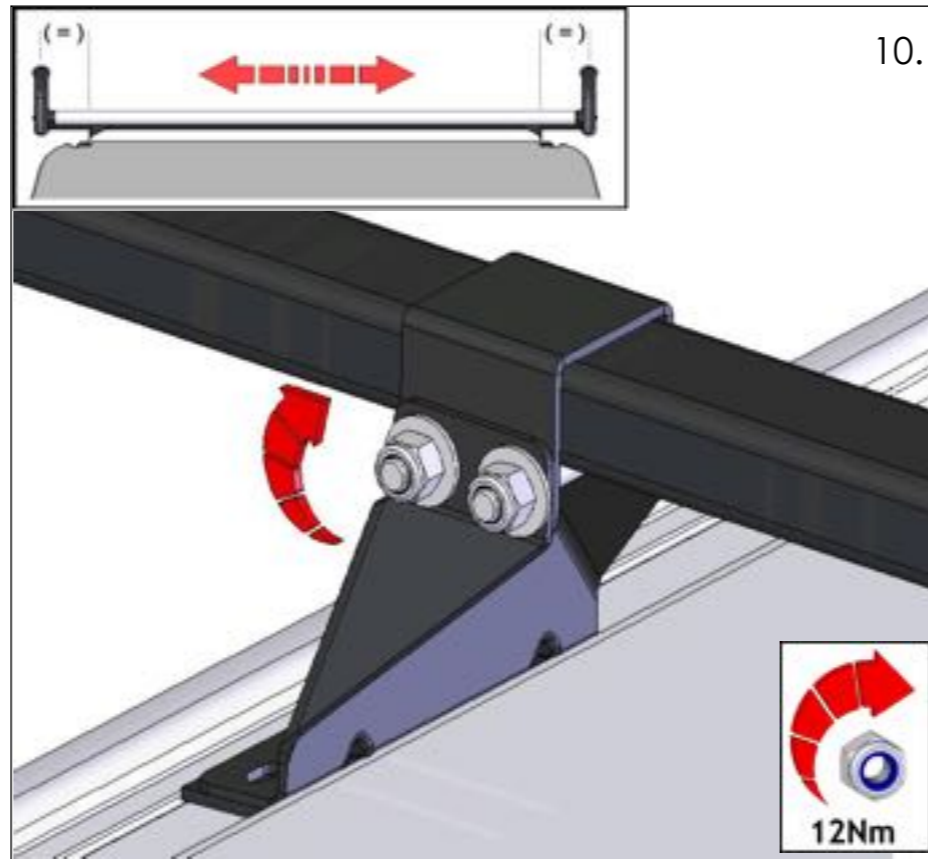
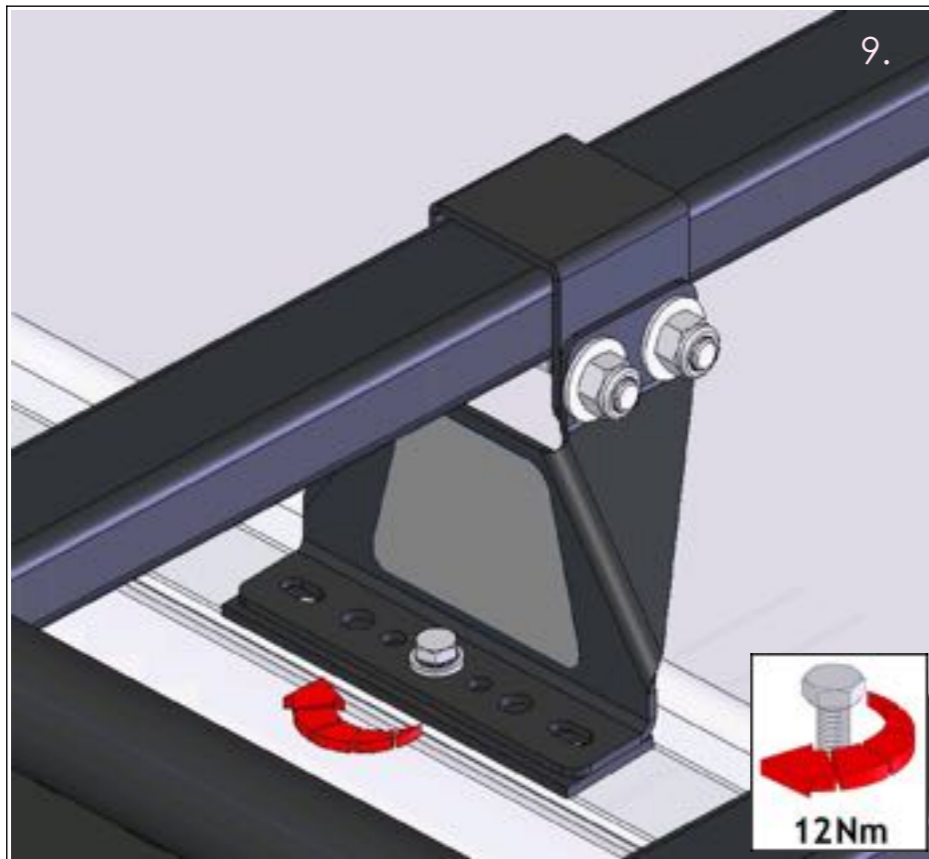
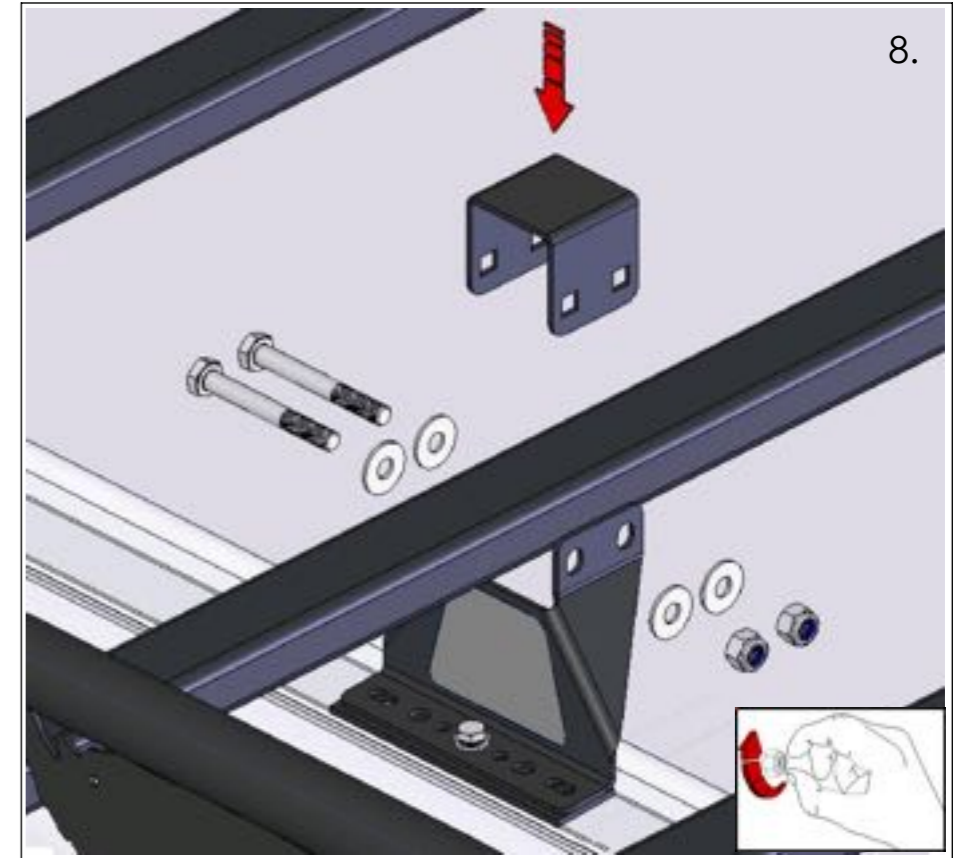
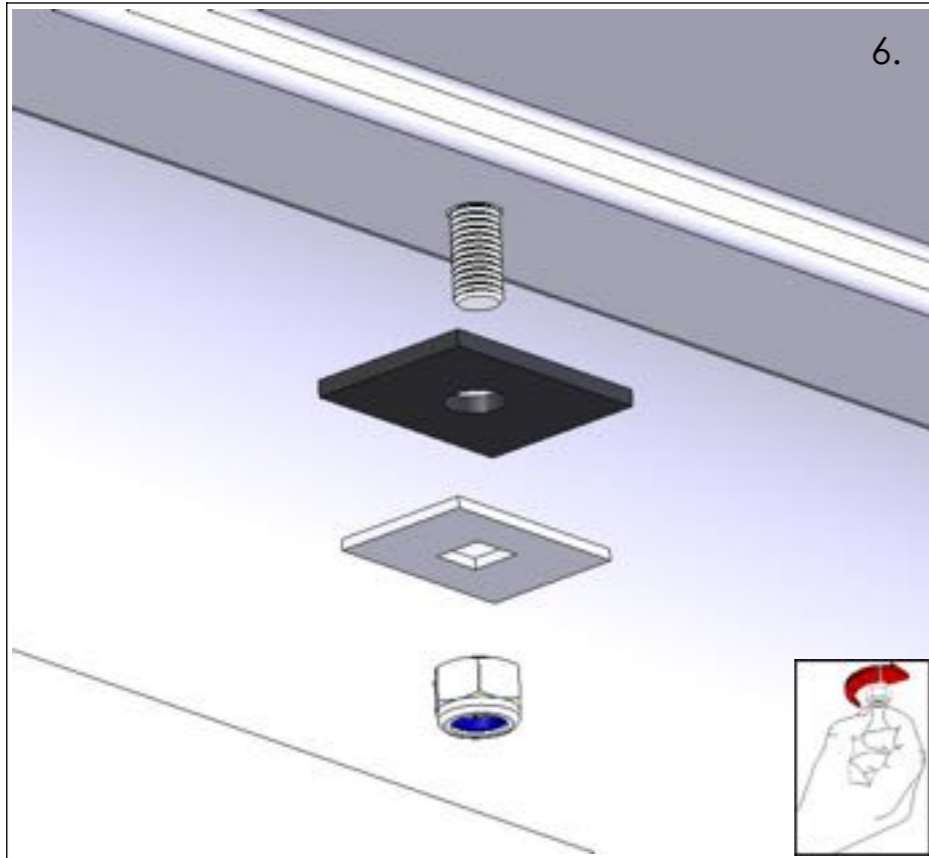
DRAWING NO: JB3R

ISSUE:

DESCRIPTION: "JB" 6 Leg Fitting Kit Modular Rack

	SIGNATURE:	DATE:
DRAWN:		
CHECK'D:		
APPV'D:		

Customer Fitting Instructions, Page 4 of 4



DRAWING NO: JB3R
 ISSUE:
 DESCRIPTION: "JB" 6 Leg Fitting Kit Modular Rack

	SIGNATURE:	DATE:
DRAWN:		
CHECKED:		
APPVD:		