
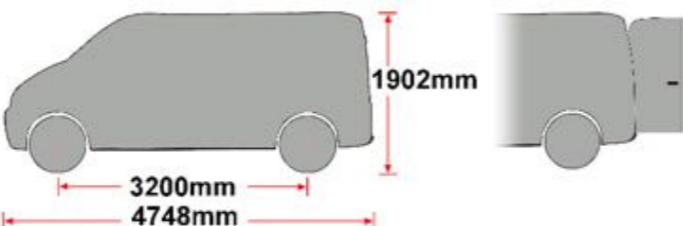
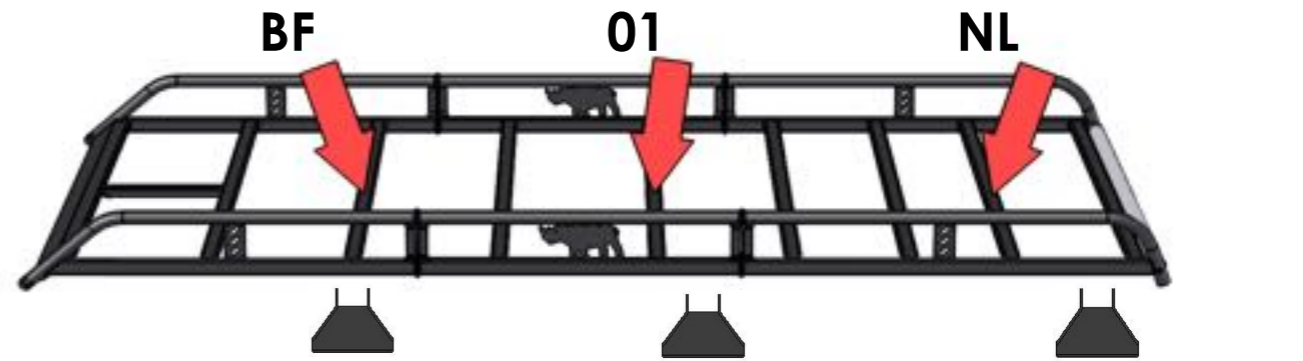

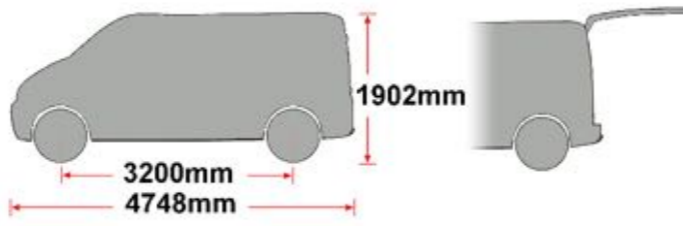
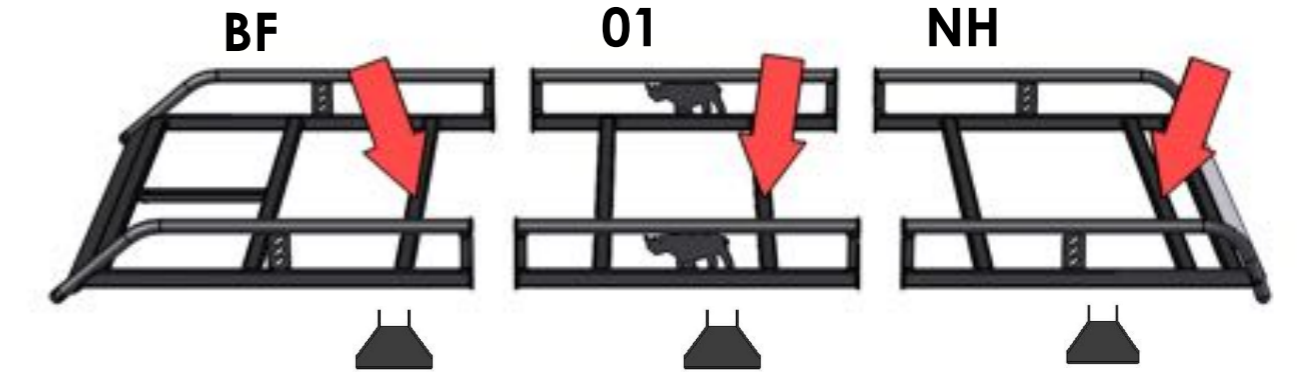

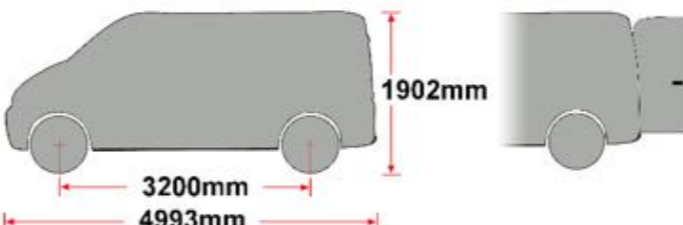
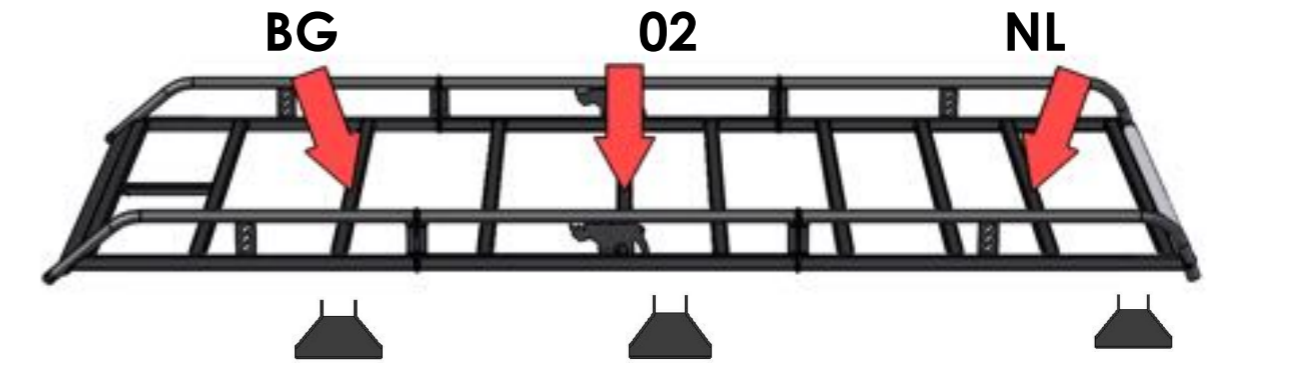

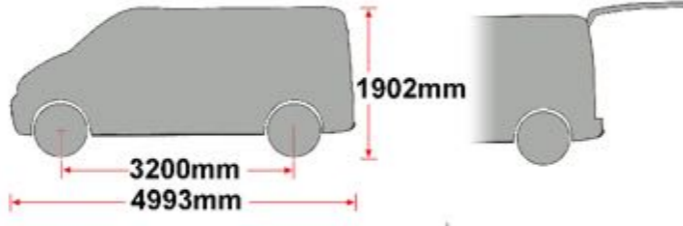
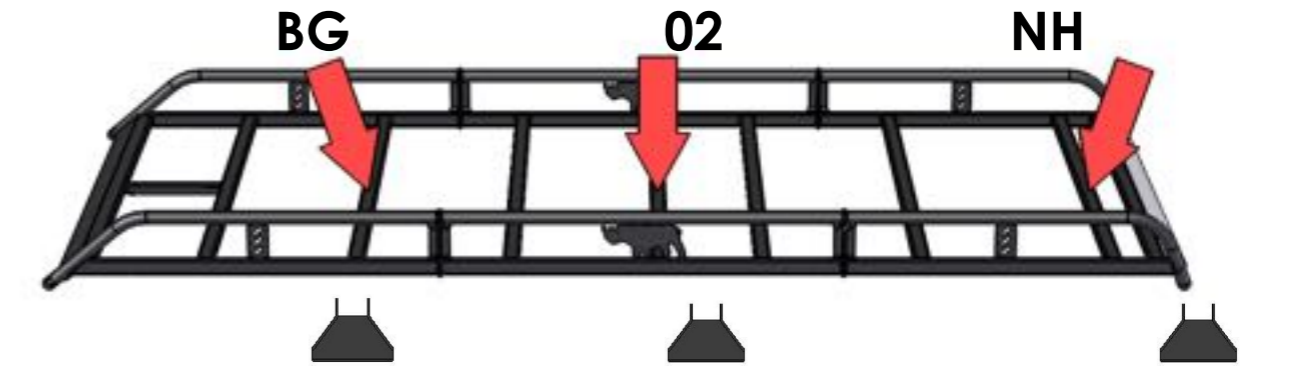

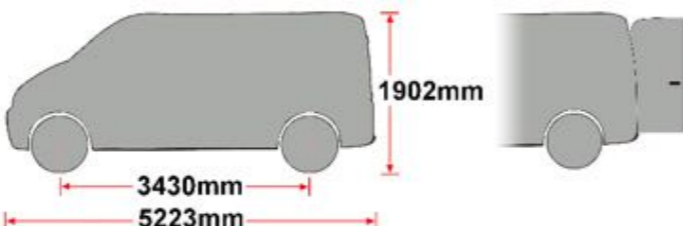
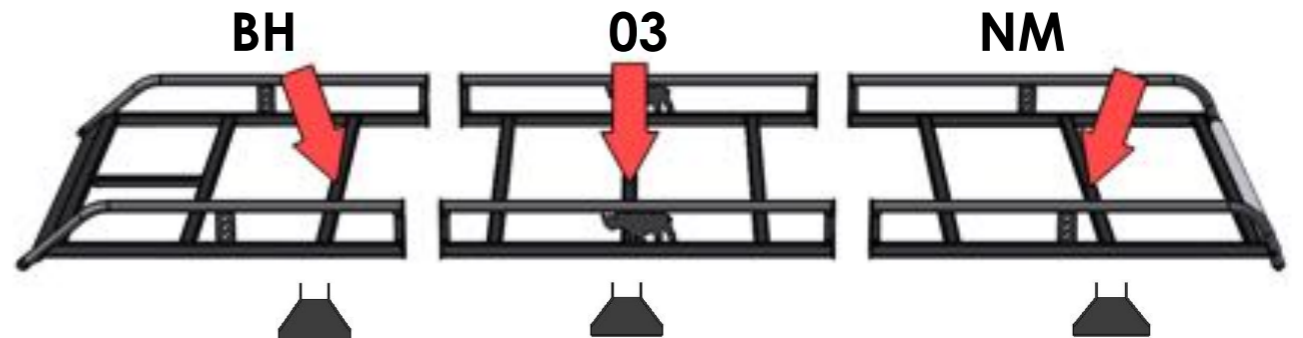



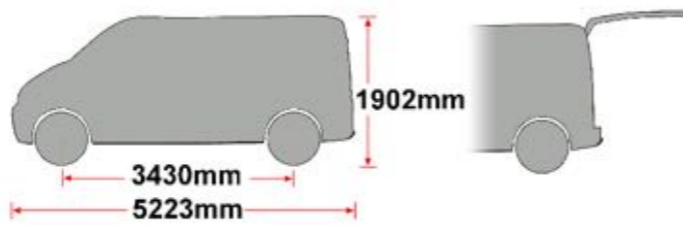
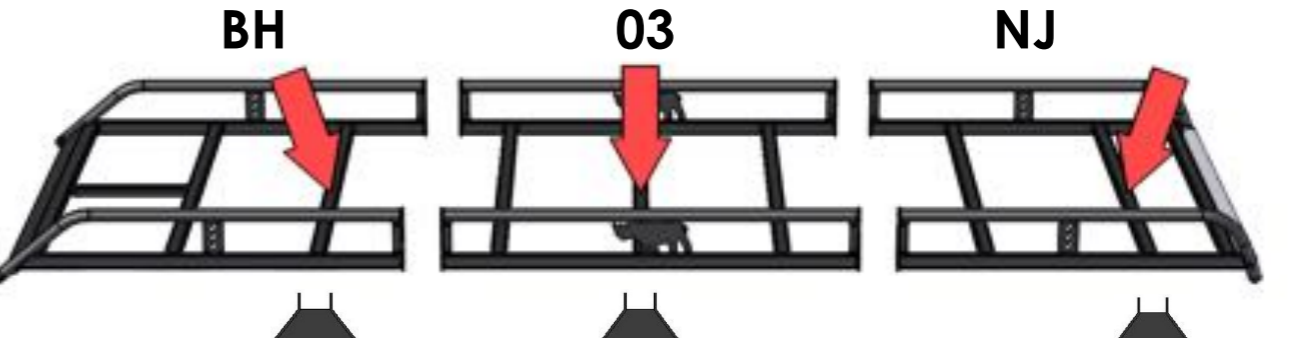
<h2>EU/R 511</h2>  <p>41kg + xx kg = Max. 150kg</p>	<h3>NEW VITO 2003- COMPACT, LOW ROOF, TWIN DOORS</h3>  <p>1902mm 3200mm 4748mm</p>	 <p>BF O1 NL</p>
--	--	---

<h2>EU/R 512</h2>  <p>39kg + xx kg = Max. 150kg</p>	<h3>NEW VITO 2003- COMPACT, LOW ROOF, TAILGATE</h3>  <p>1902mm 3200mm 4748mm</p>	 <p>BF O1 NH</p>
---	---	--

<h2>EU/R 513</h2>  <p>44kg + xx kg = Max. 150kg</p>	<h3>NEW VITO 2003- LONG, LOW ROOF, TWIN DOORS</h3>  <p>1902mm 3200mm 4993mm</p>	 <p>BG O2 NL</p>
--	---	---

<h2>EU/R 514</h2>  <p>41kg + xx kg = Max. 150kg</p>	<h3>NEW VITO 2003- LONG, LOW ROOF, TAILGATE</h3>  <p>1902mm 3200mm 4993mm</p>	 <p>BG O2 NH</p>
--	---	---

<h1>EU/R 515</h1>  <p>44kg</p>	<h2>NEW VITO 2003- EXTRA LONG, LOW ROOF, TWIN DOORS</h2> 	
---	---	---

<h1>EU/R 516</h1>  <p>43kg</p>	<h2>NEW VITO 2003- EXTRA LONG, LOW ROOF, TAILGATE</h2> 	
--	--	---

--	--	--

--	--	--



MS161 x 6



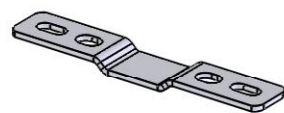
MS176 x 4



MS259 x 1



MS260 x 1

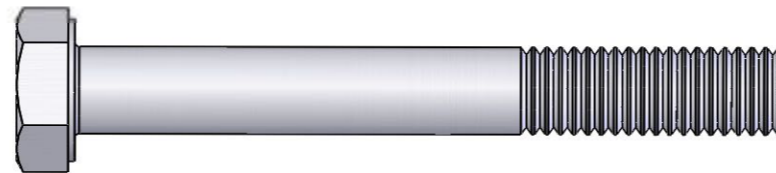


MS019 x 6

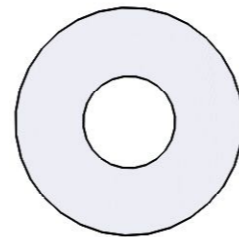


PS046 x 6

(1:1)



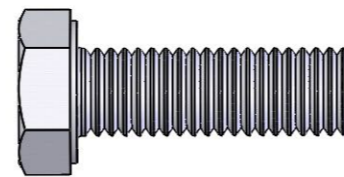
FB003 (M8 x 65) x 12



FW002 (M8) x 40



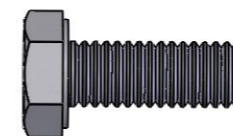
FN006 (M8) x 20



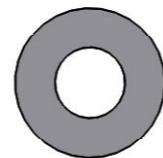
FS015 (M8 x 20) x 8



FS038 (M6 x 25) x 12



FS041 (M6 x 16) x 12



FW001 (M6) x 24



FW008 (M6) x 12



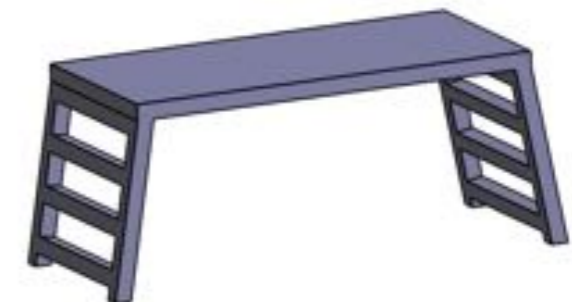
FN001 (M6) x 12

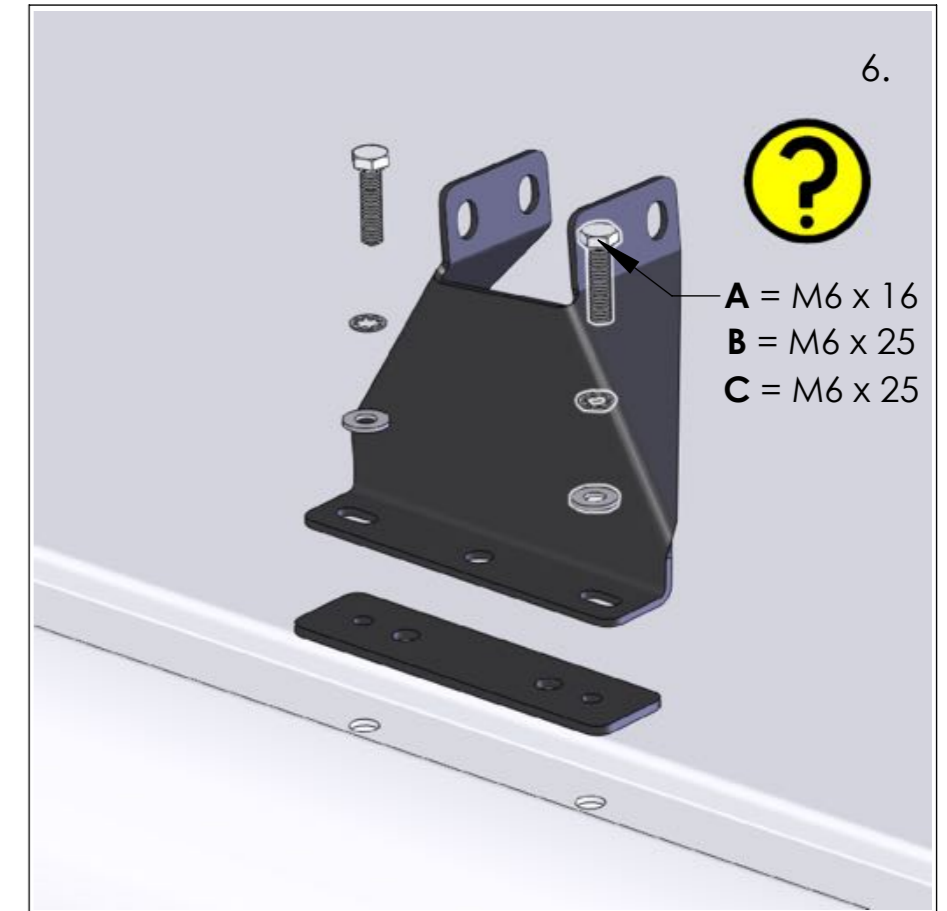
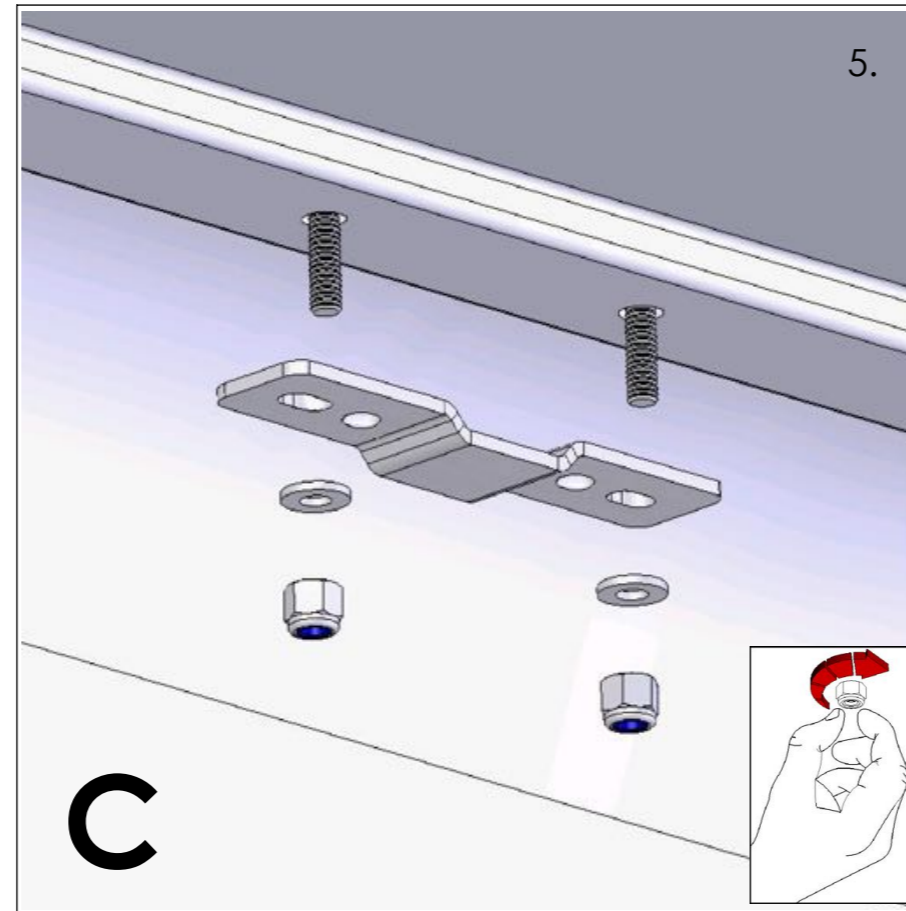
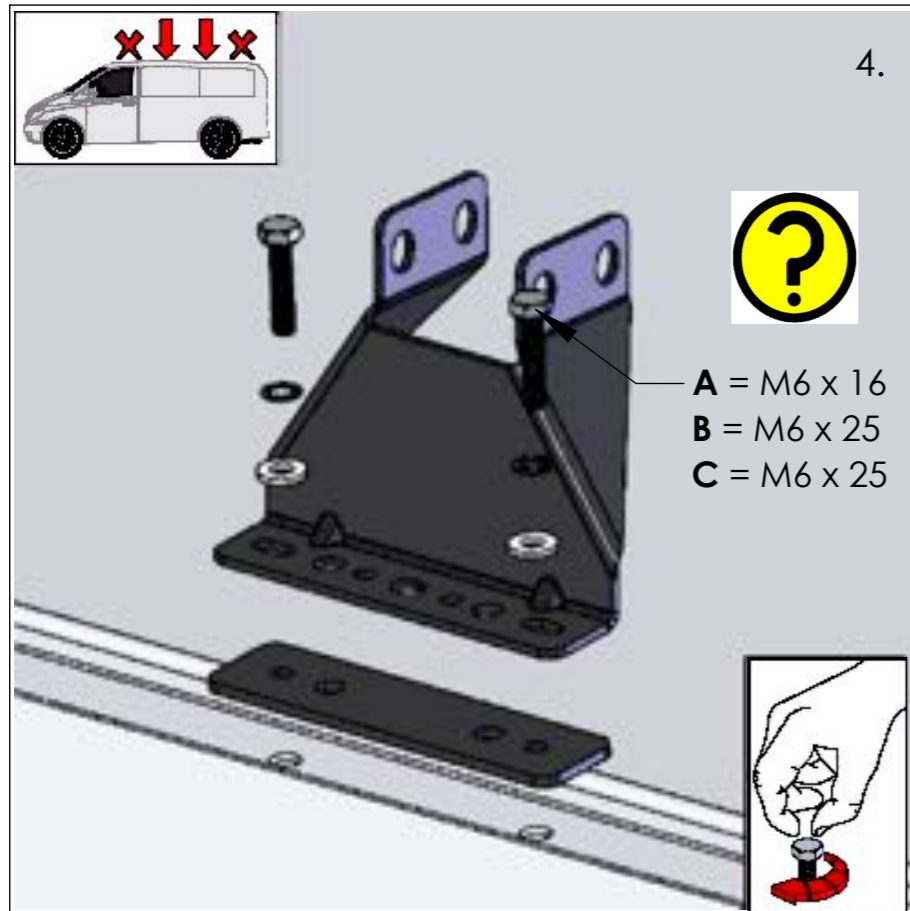
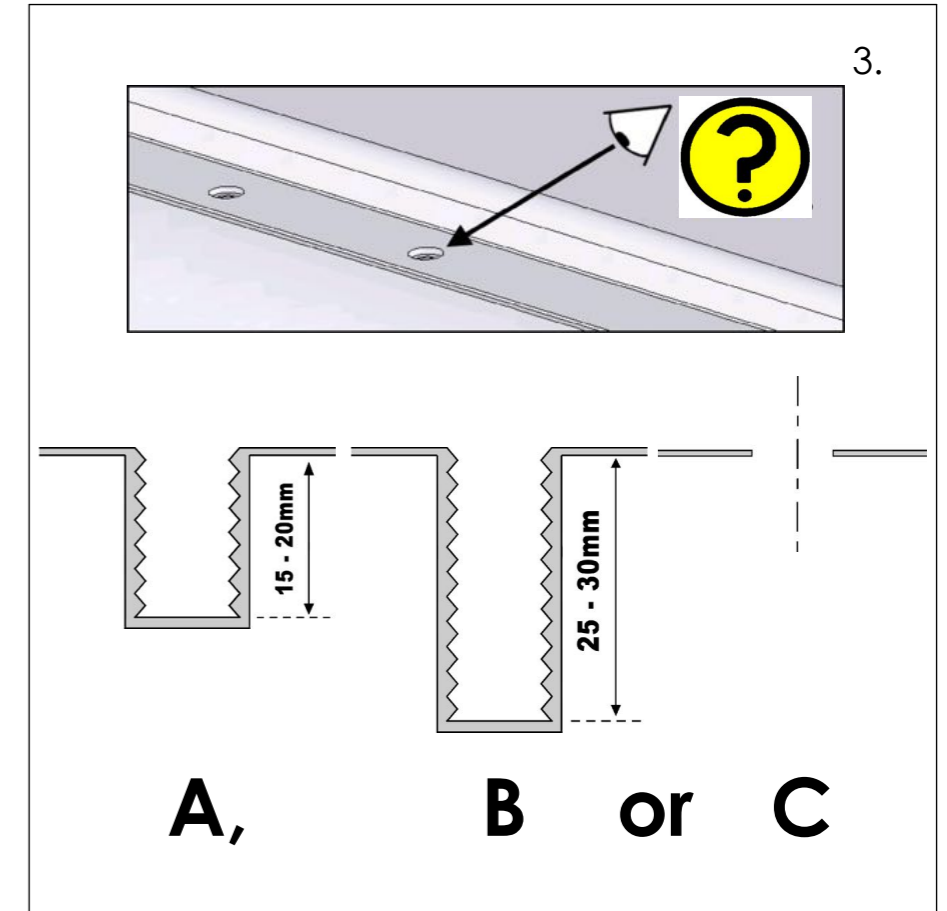
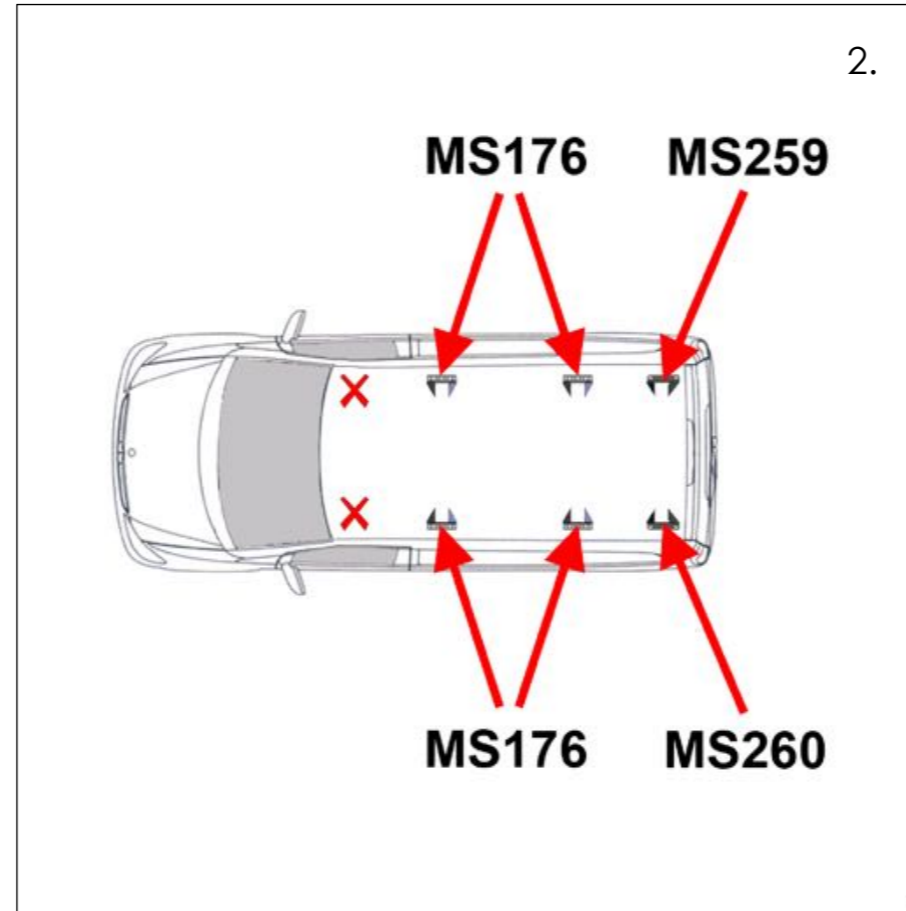
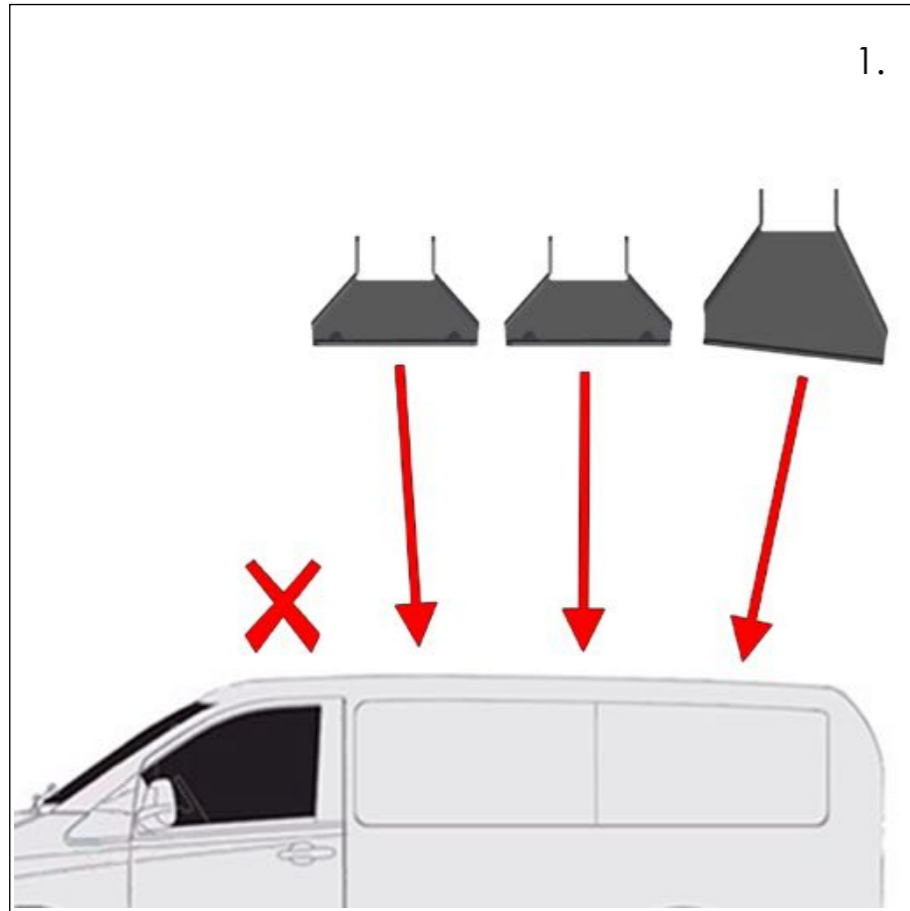


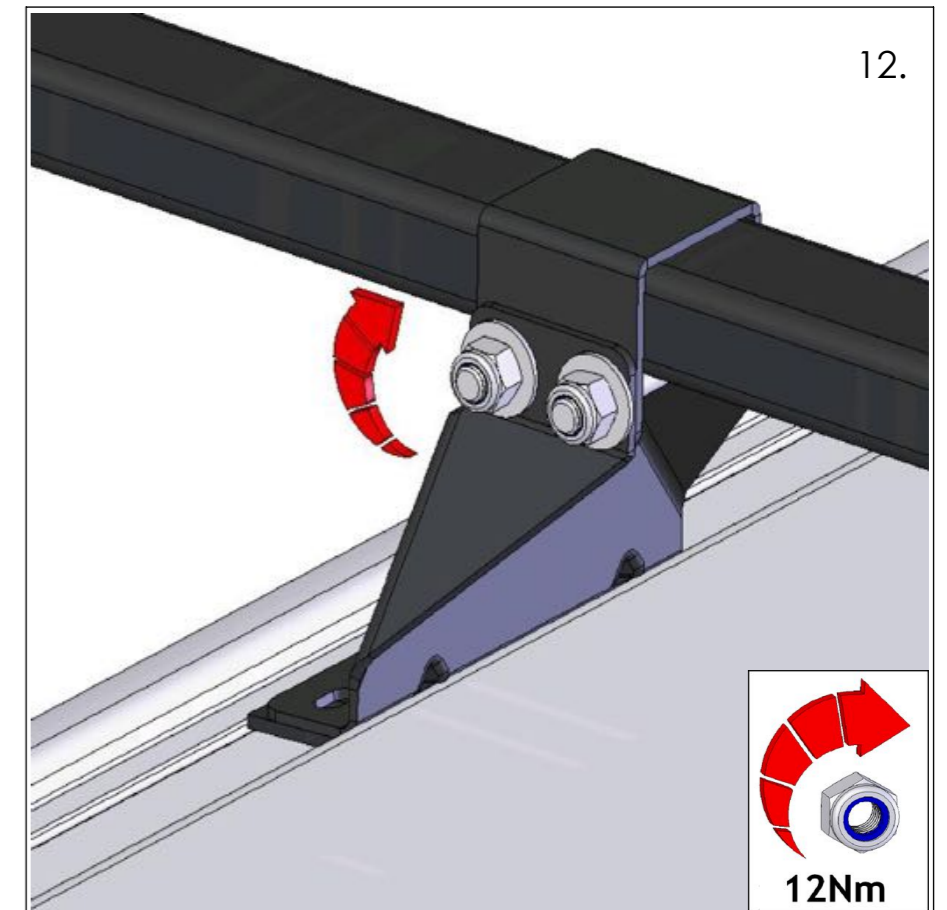
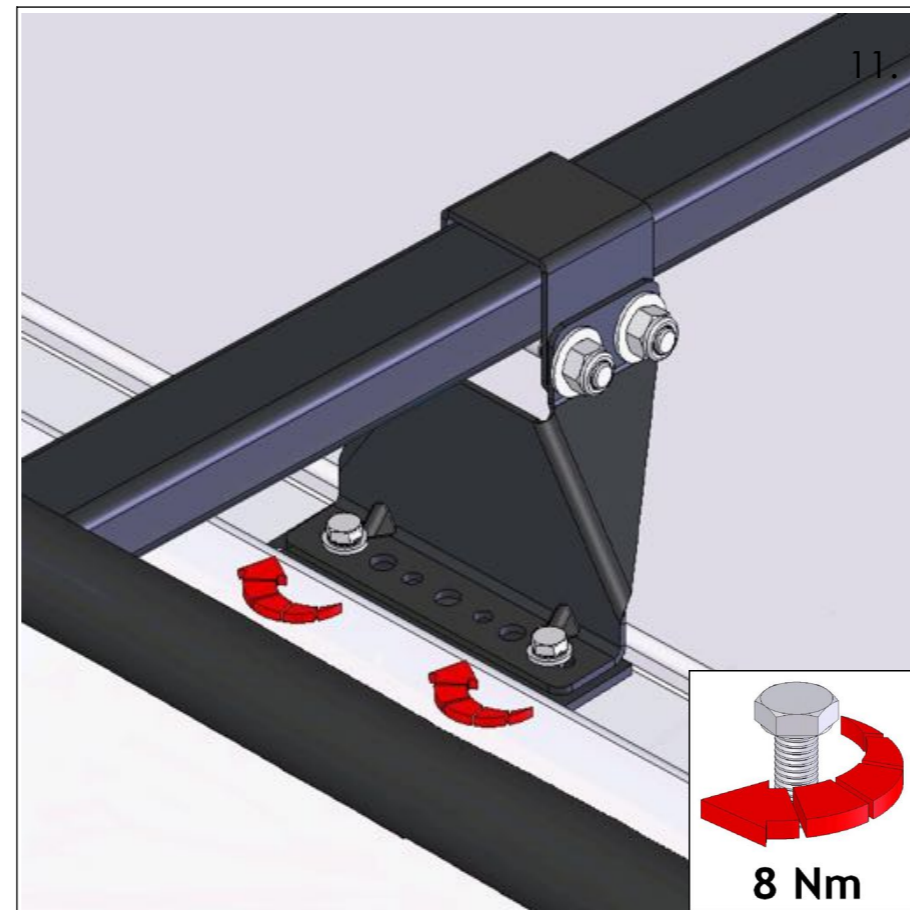
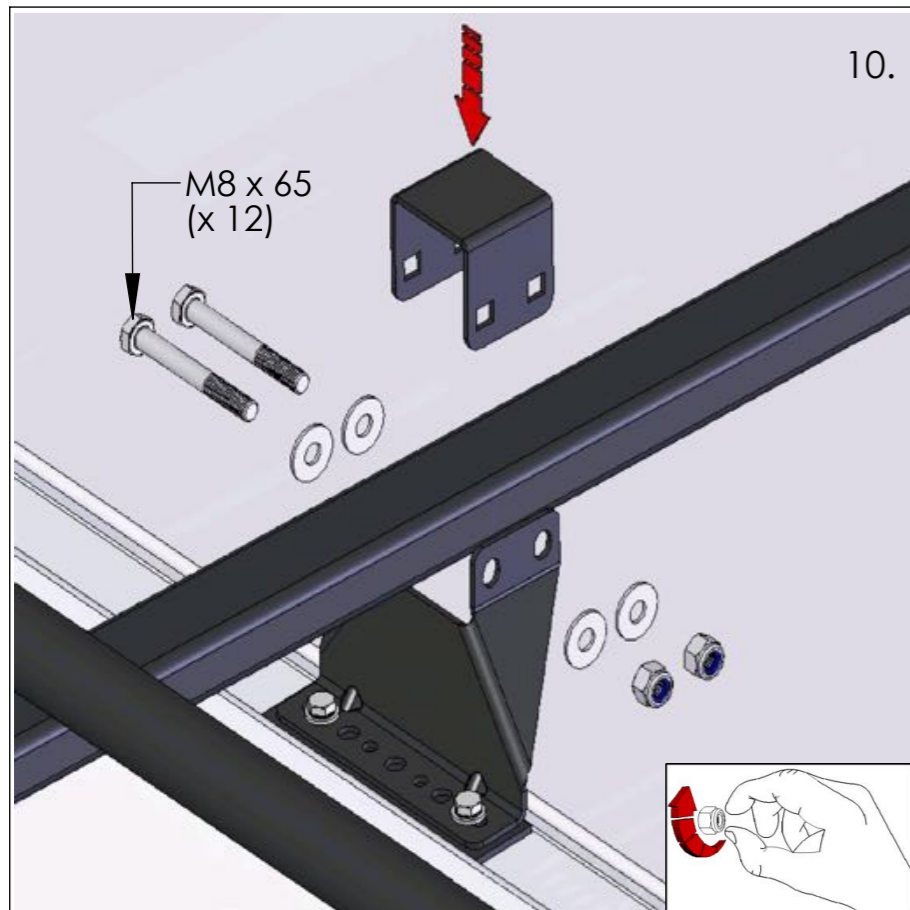
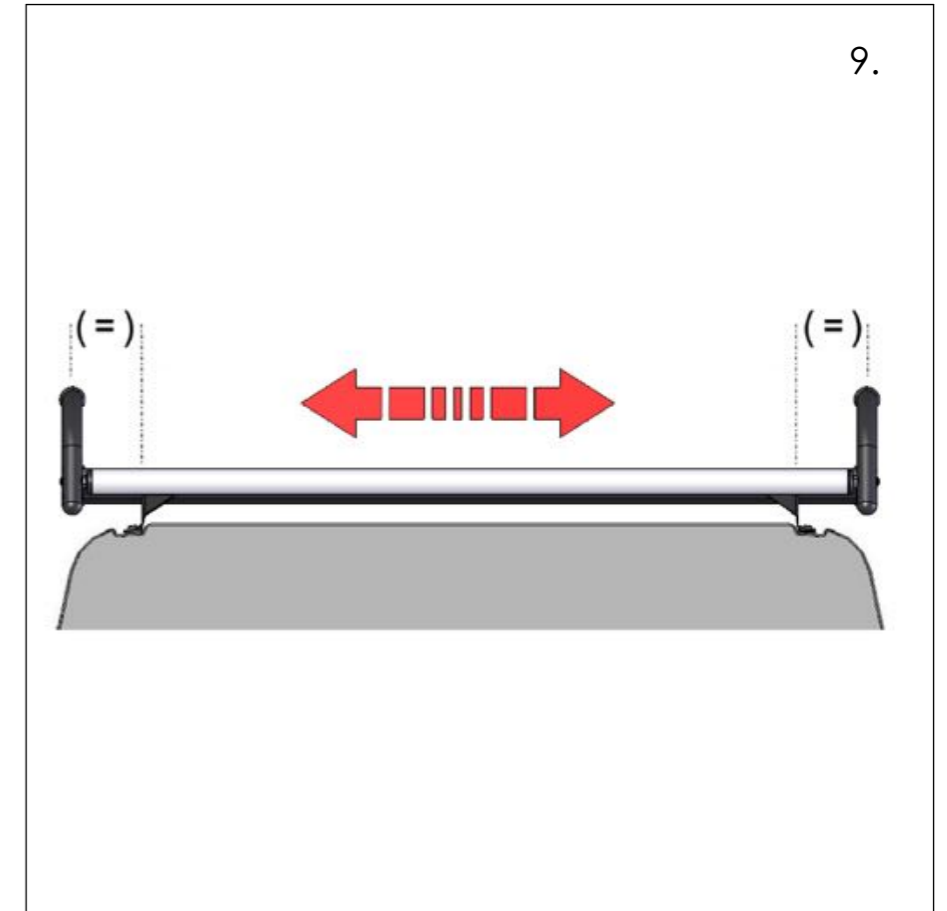
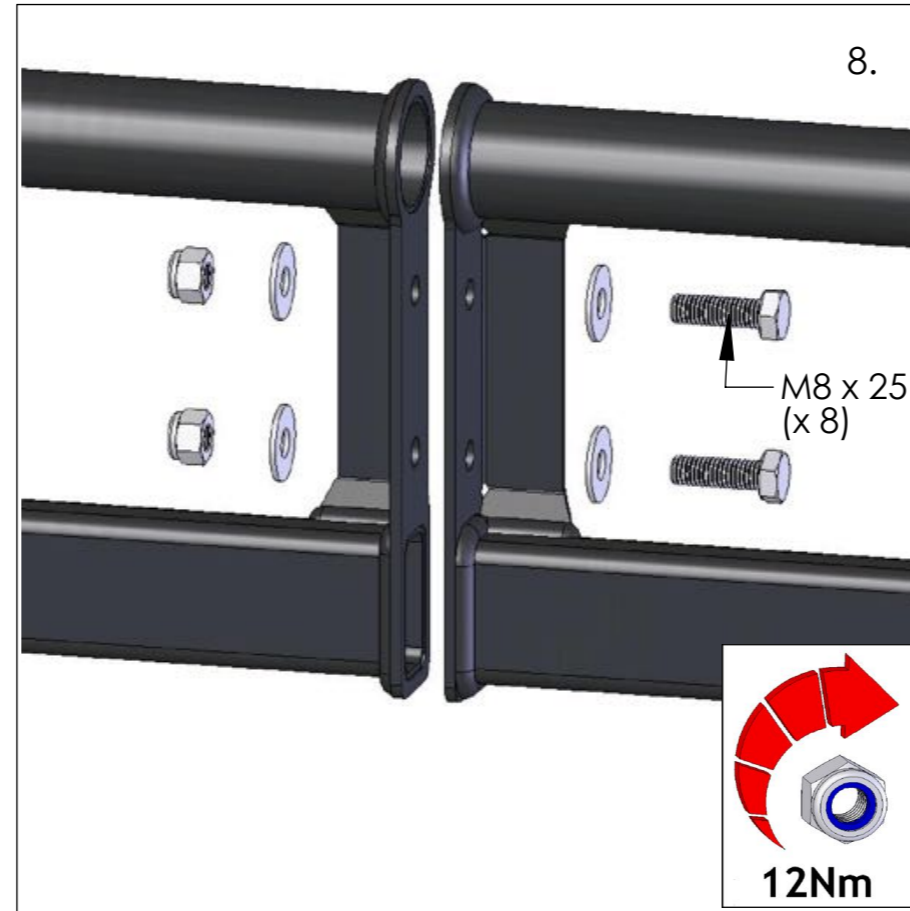
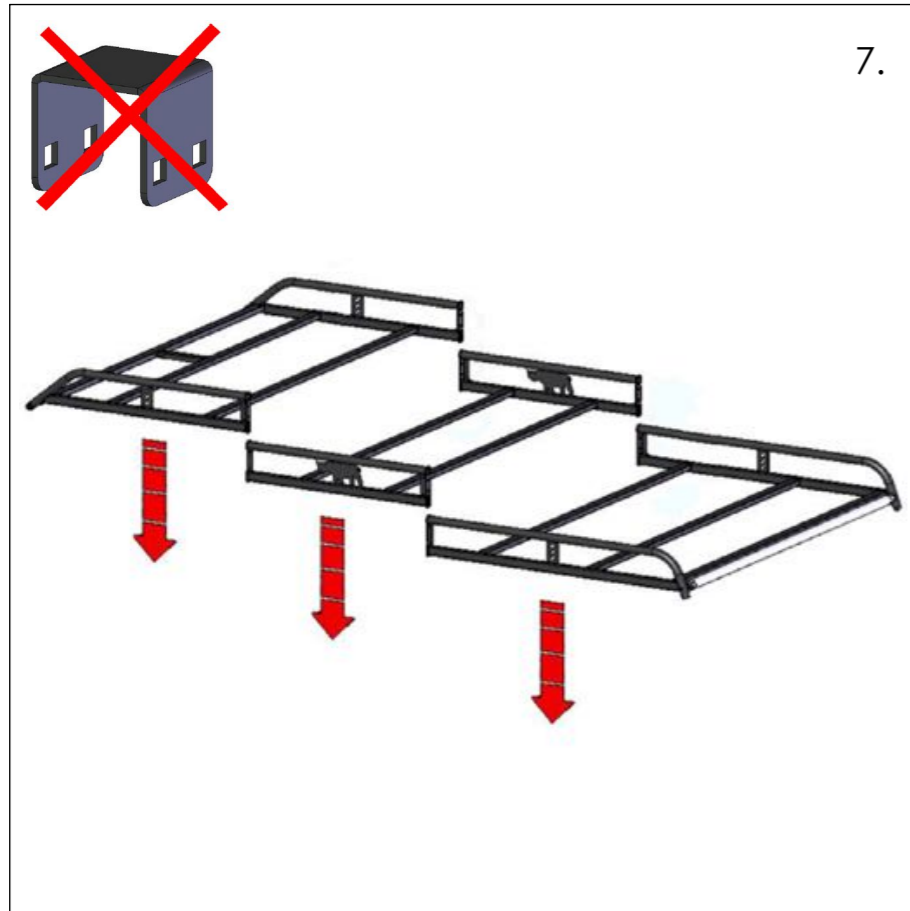
10mm x ?



13mm x 2







13.

