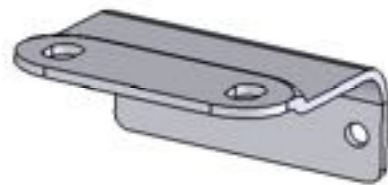




MS201 x 8



MS168 x 8



MS032 x 8

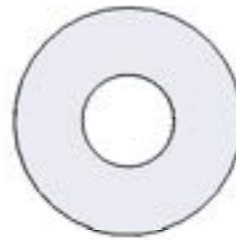


PS046 x 8

(1:1)



FB003 (M8 x 65) x 16



FW002 (M8) x 64



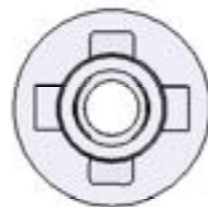
FN006 (M8) x 32



FB006 (M8 x 30) x 16



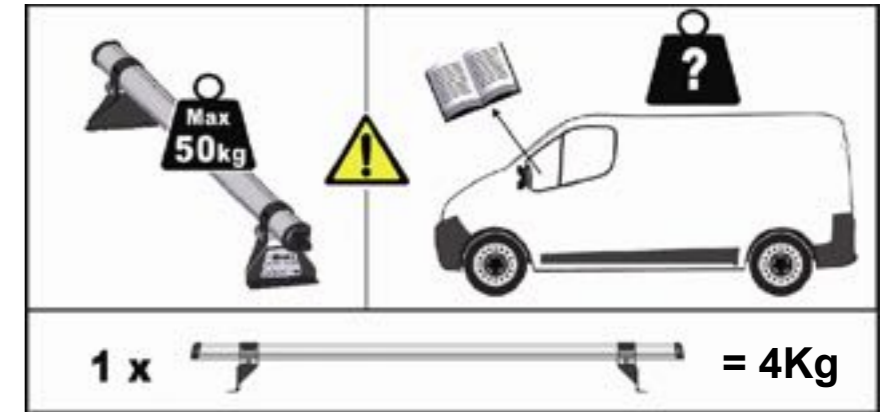
Q4D (M6 x 20) x 16



FN003 (M6) x 16



FW001 (M6) x 16



10mm x 1



13mm x 2

