
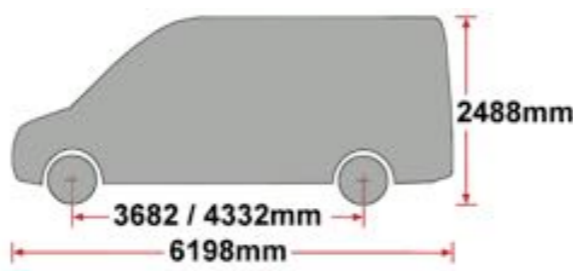
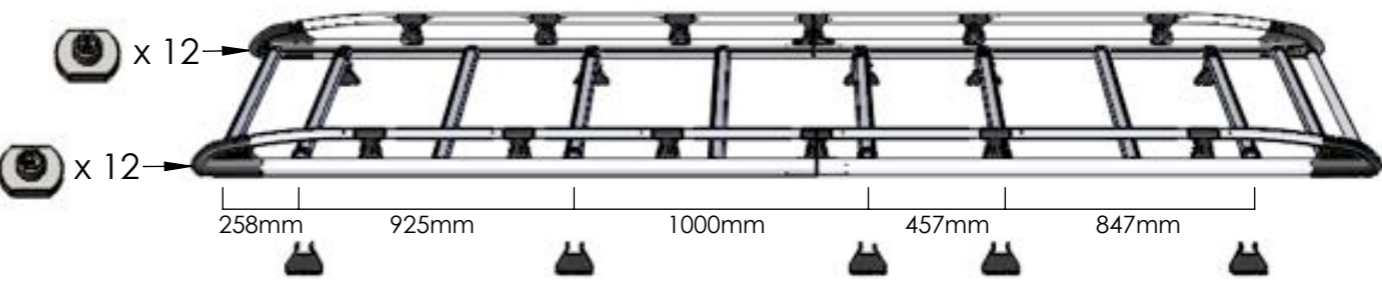

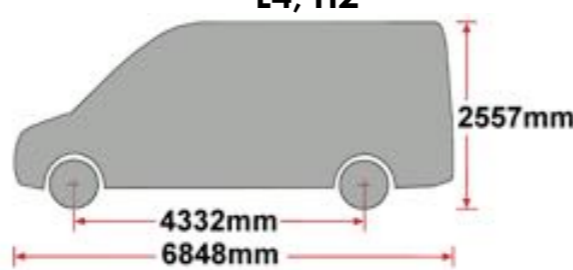
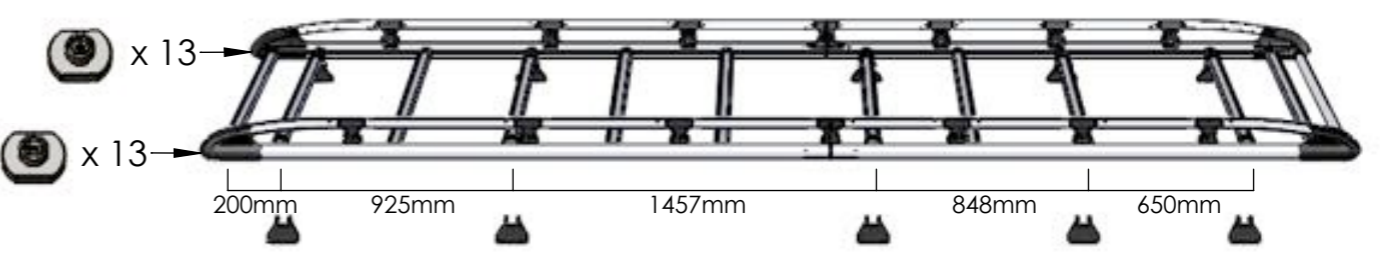
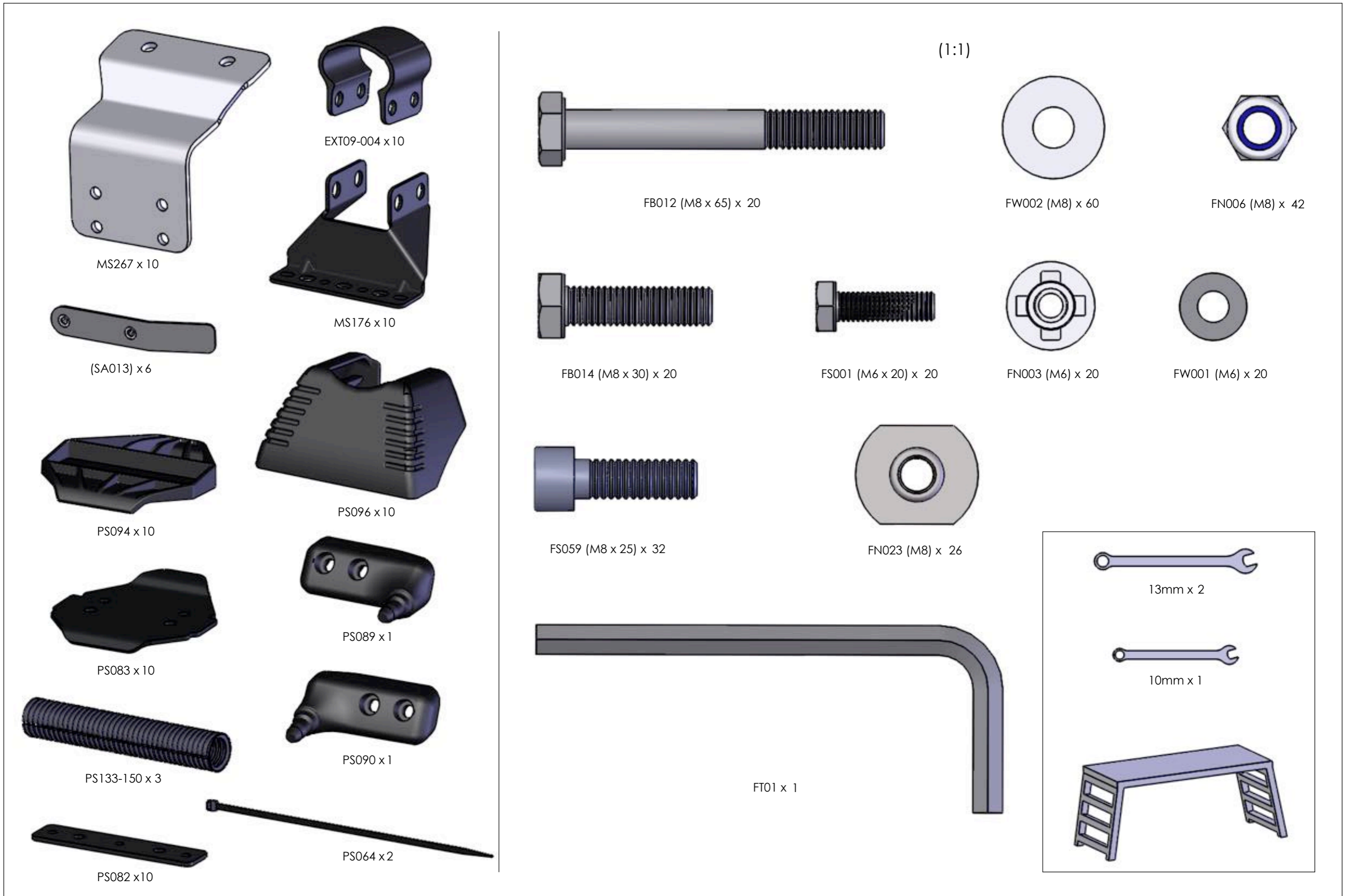


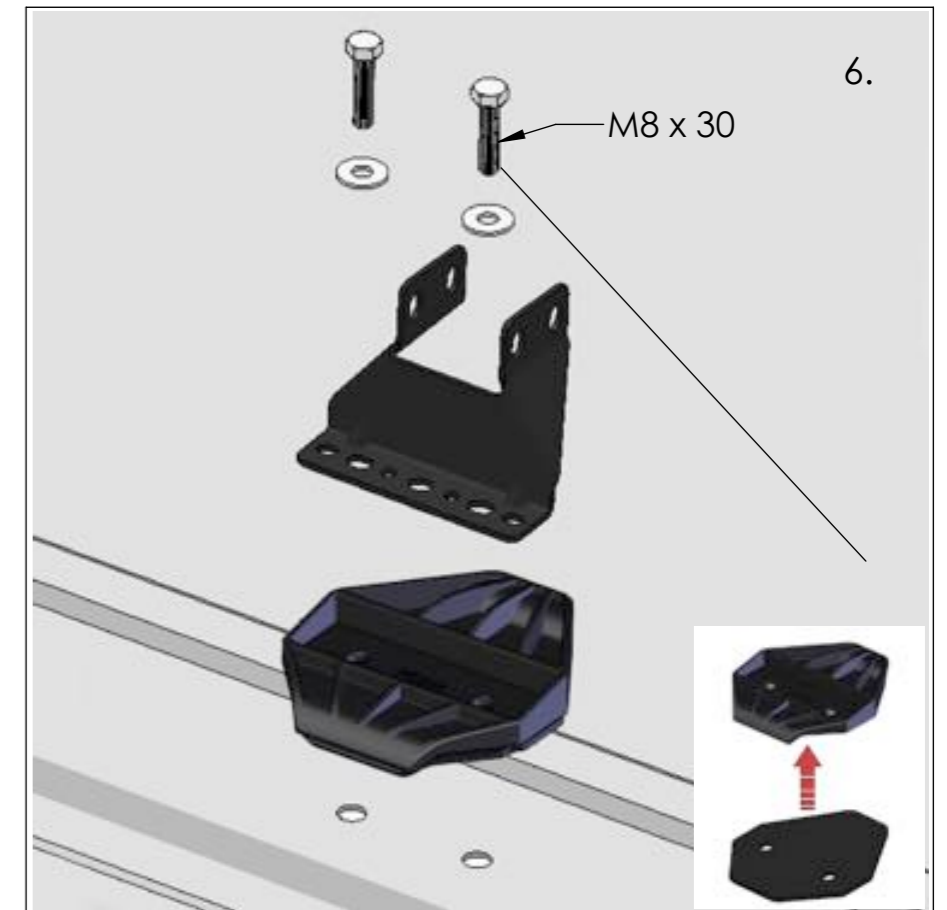
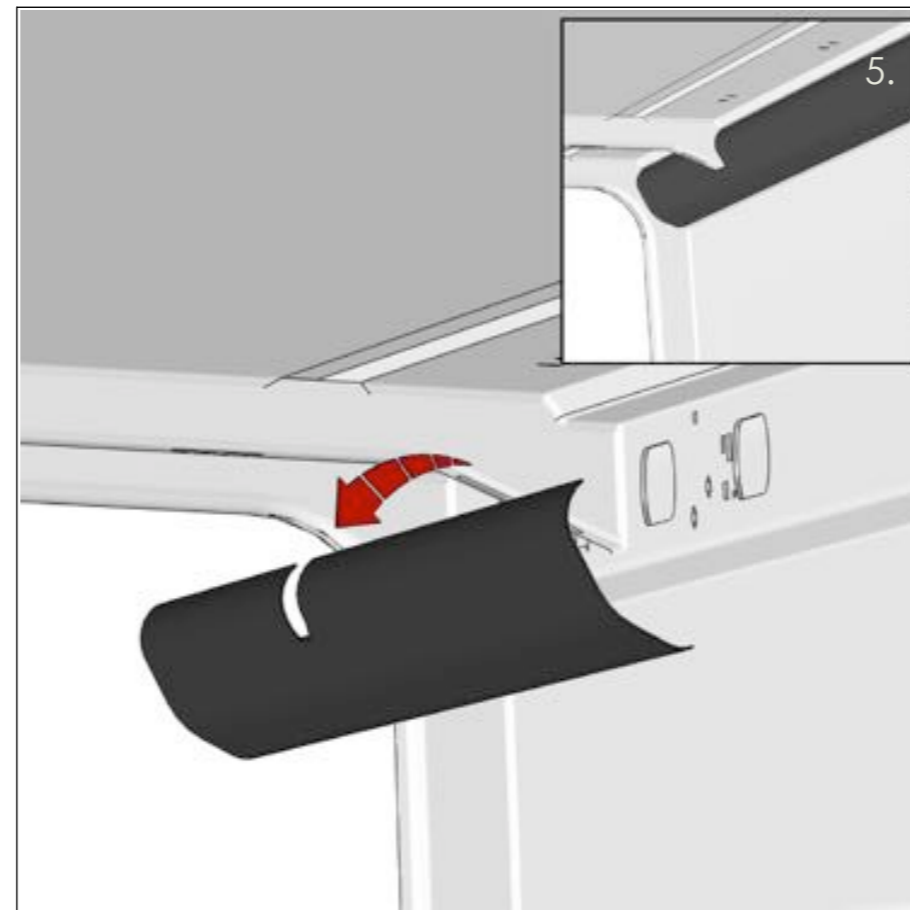
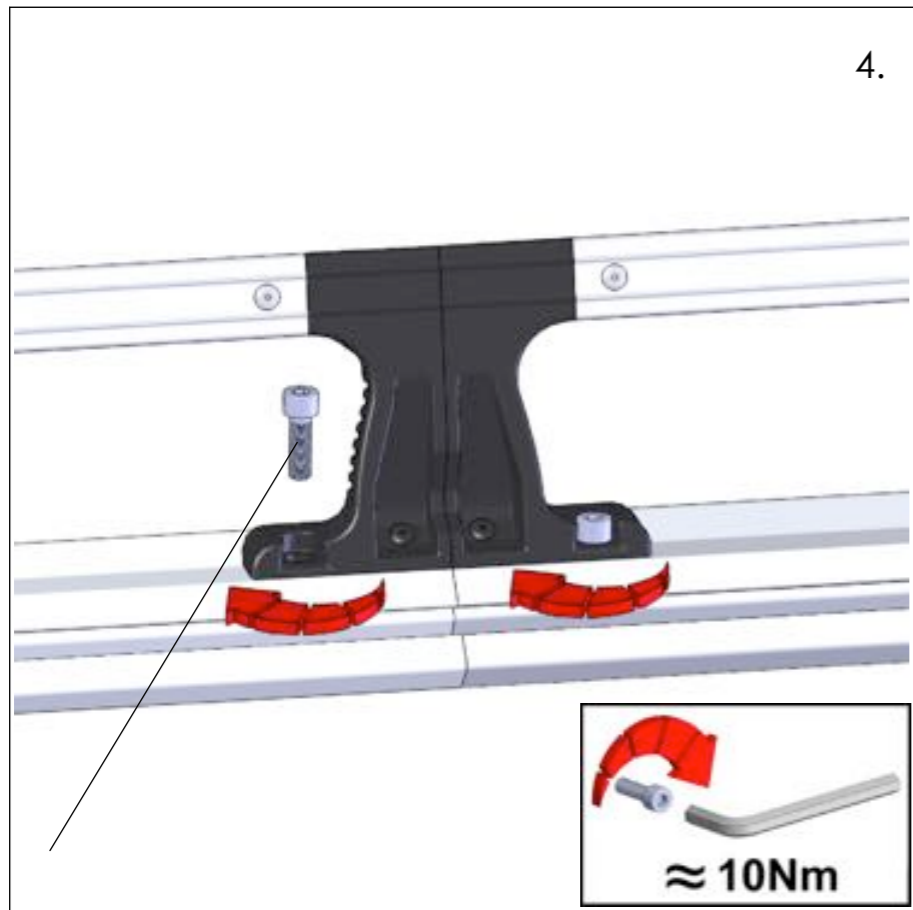
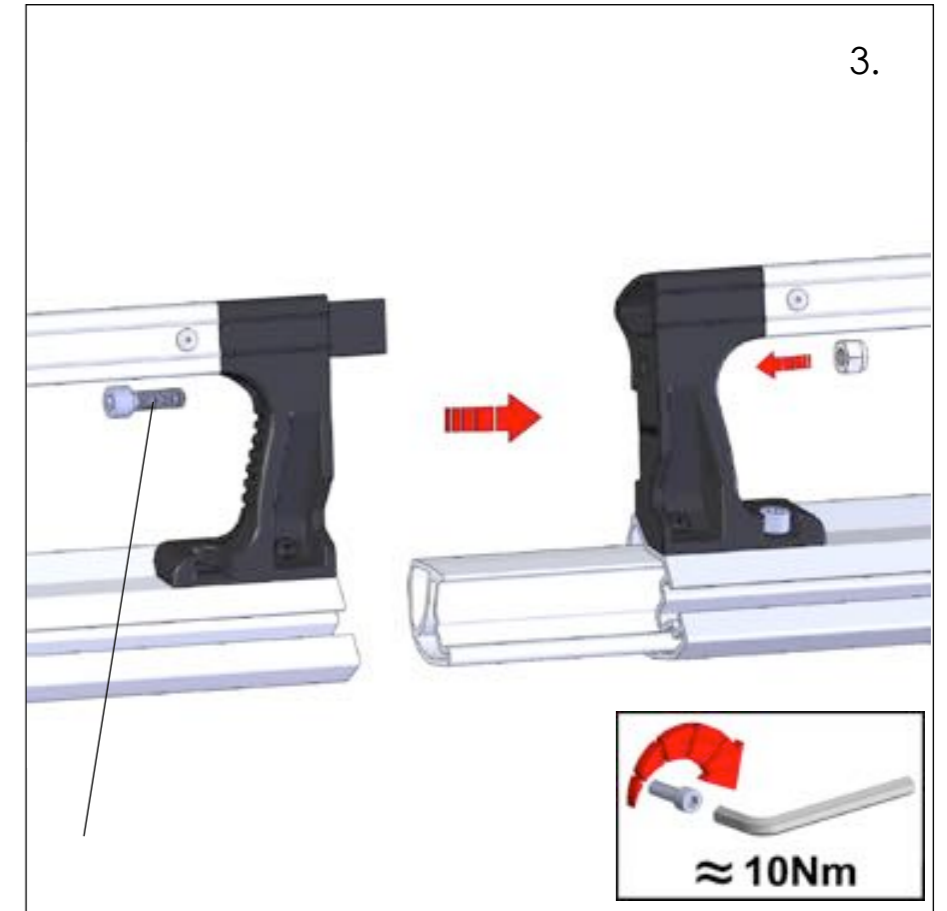
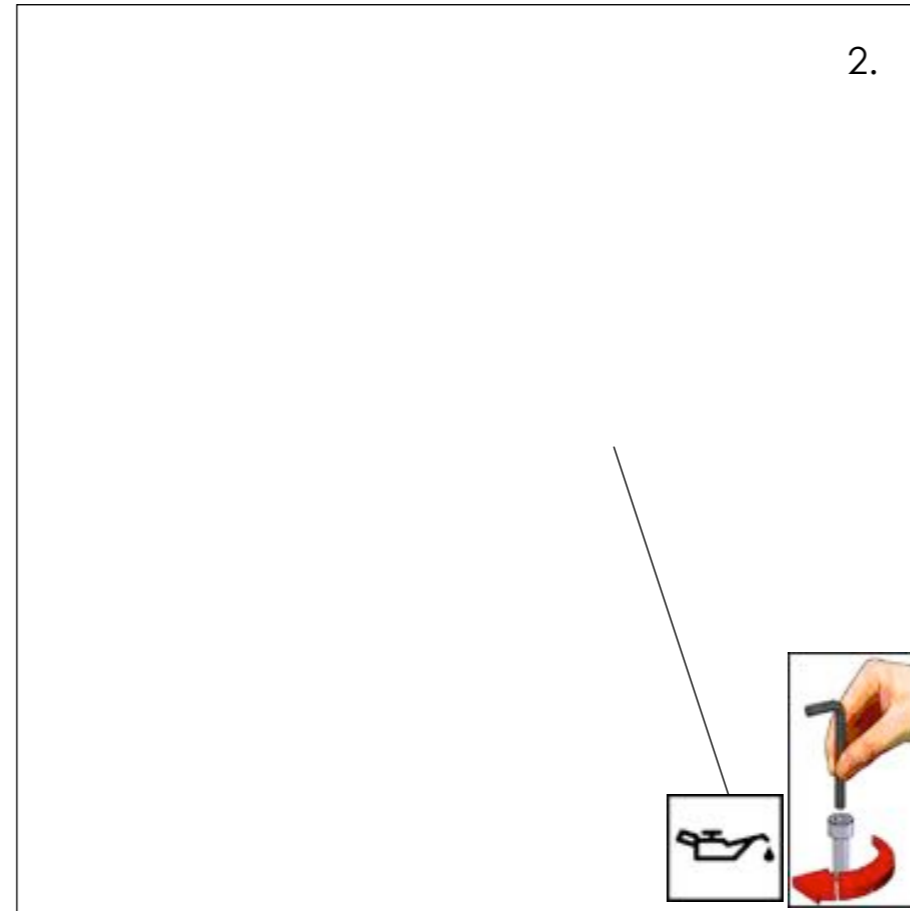
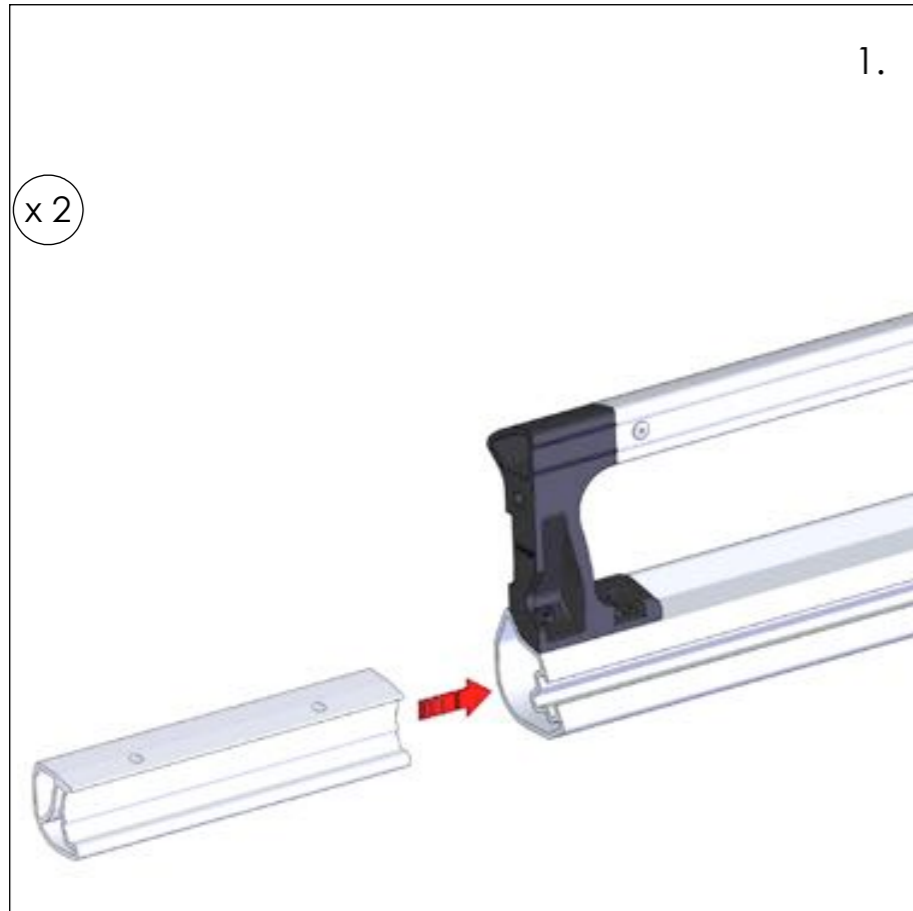
<h1>A606</h1>  <p>49kg</p>	<p>MASTER/MOVANO/NV400 2010-L3, H2</p>  <p>2488mm 3682 / 4332mm 6198mm</p>	<p>AMP20 + AMP18 = 3.8m</p>  <p>x 12 x 12 258mm 925mm 1000mm 457mm 847mm</p>
---	---	---

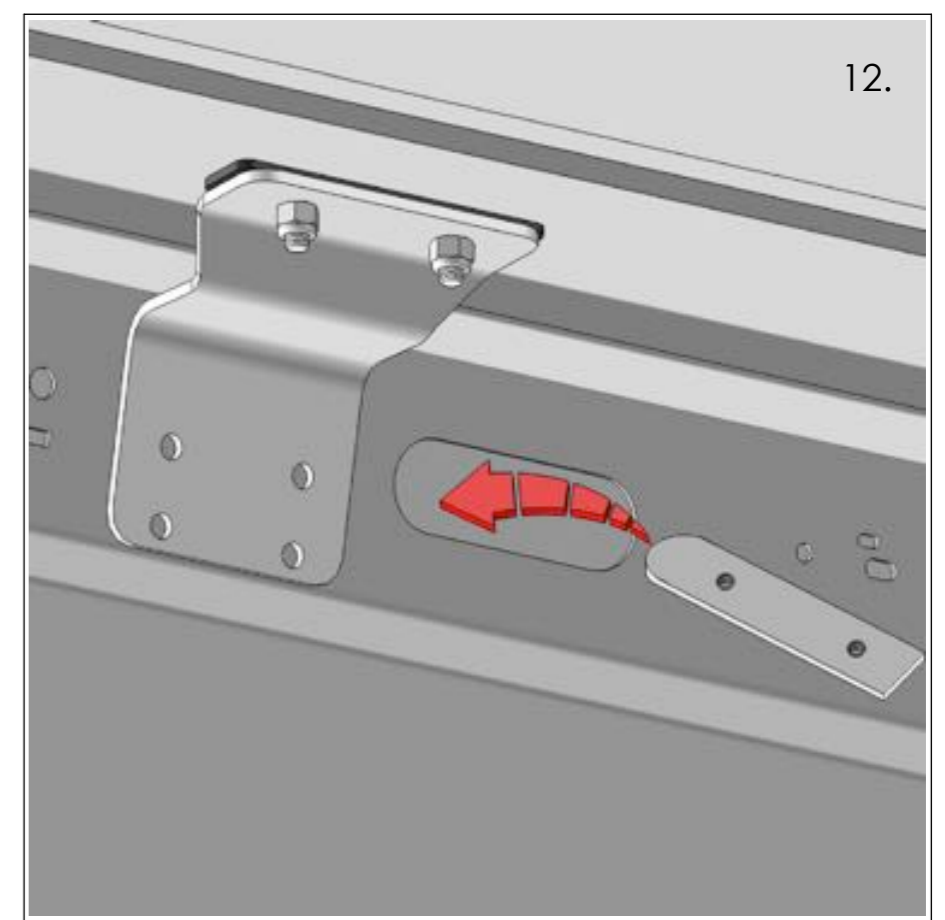
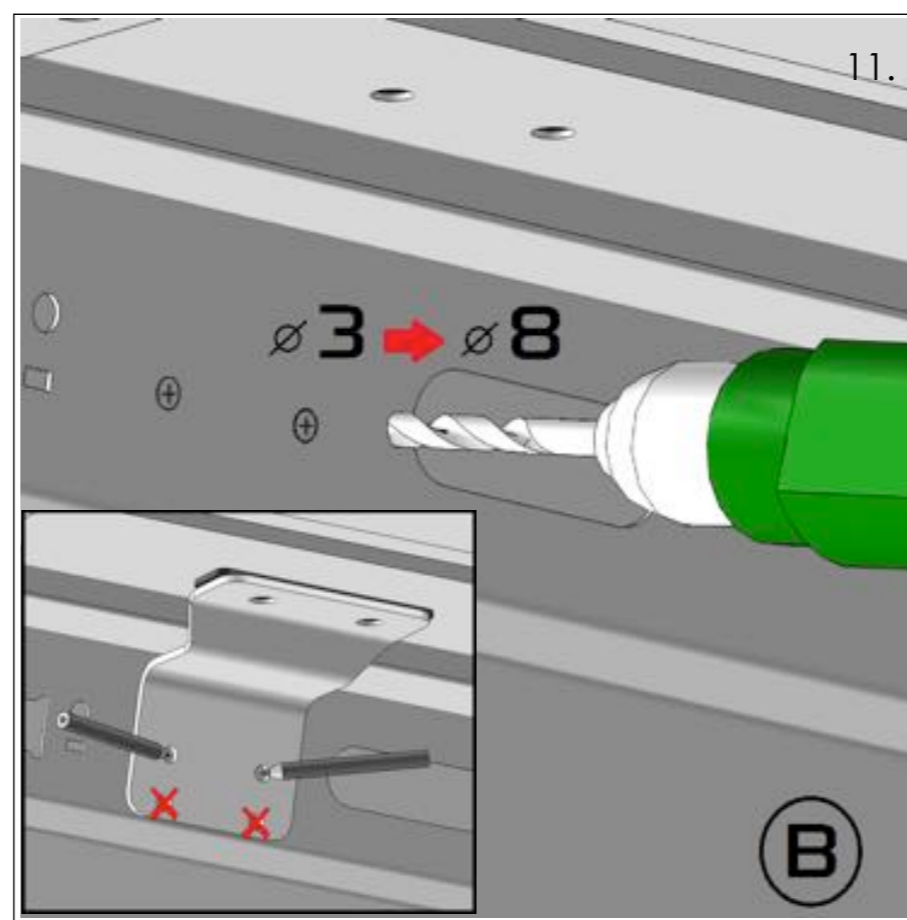
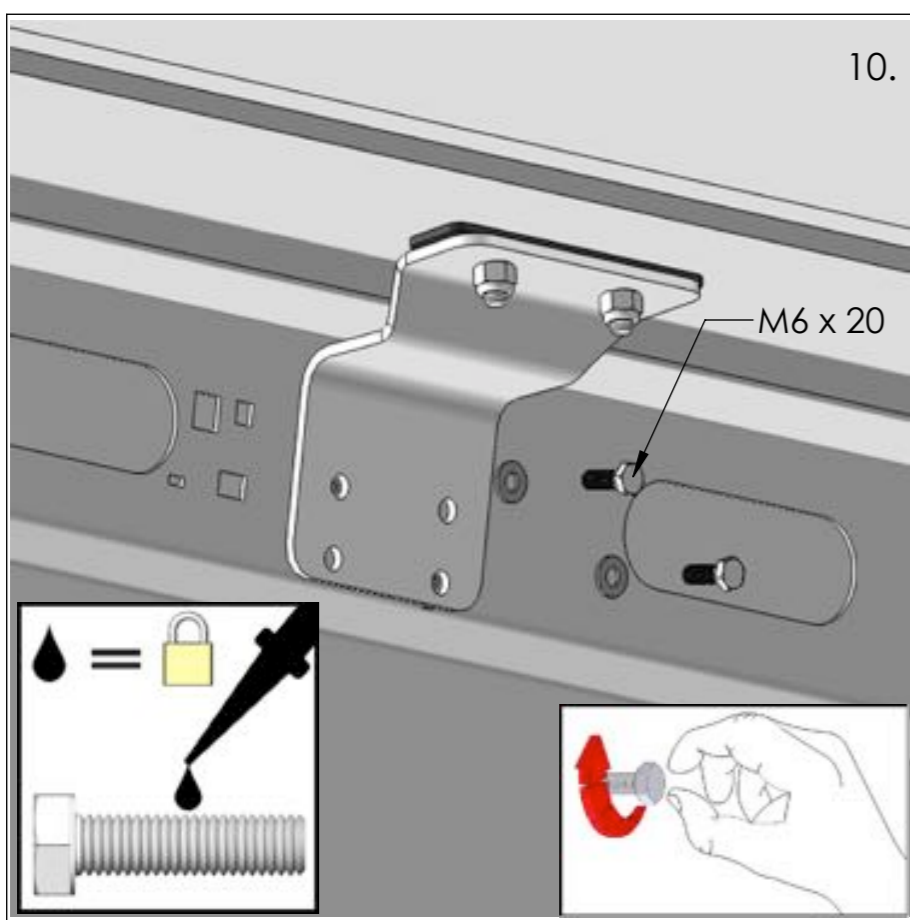
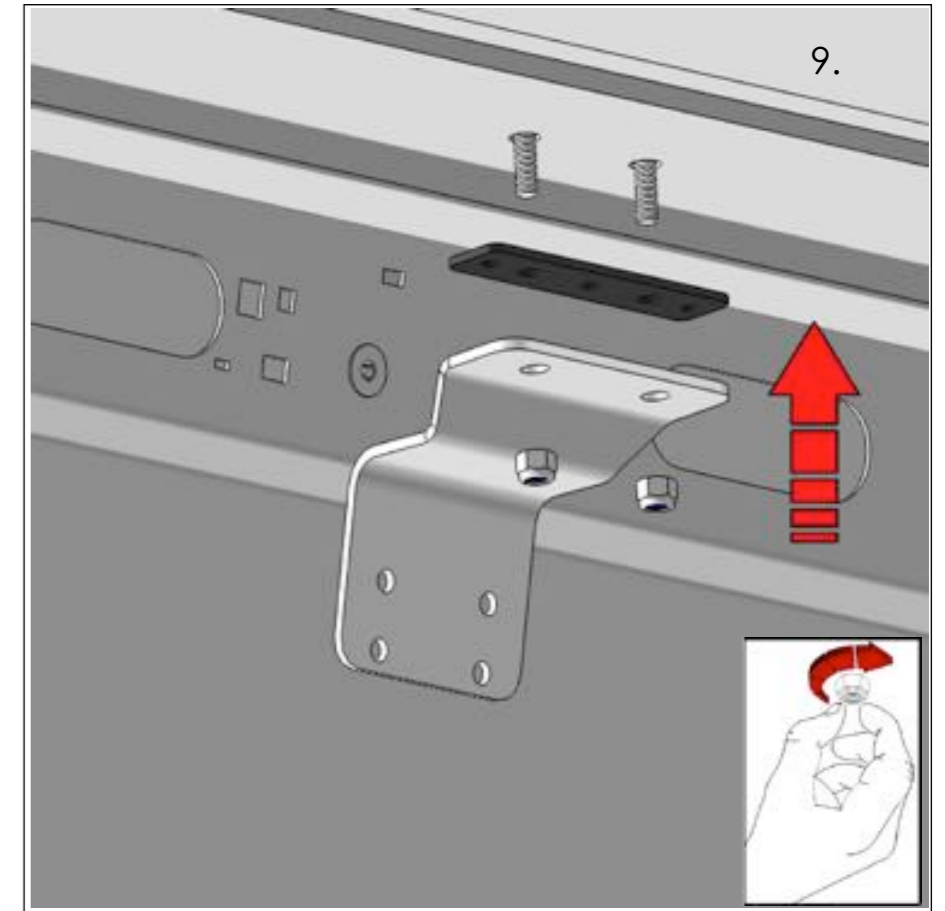
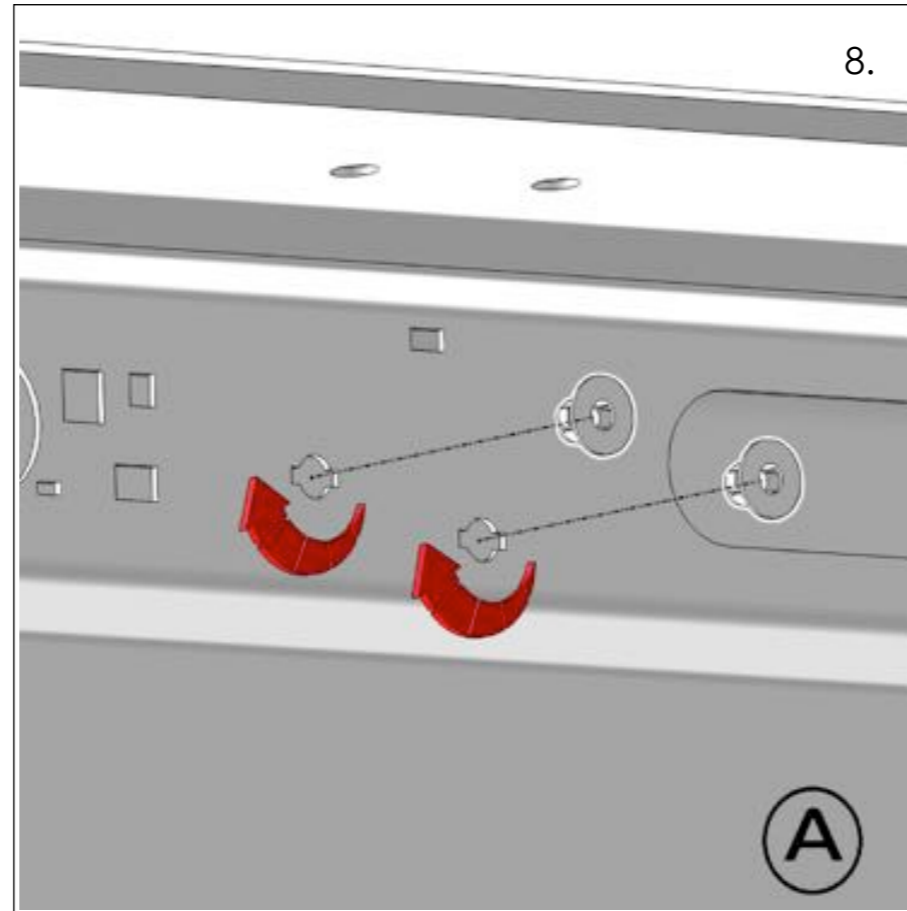
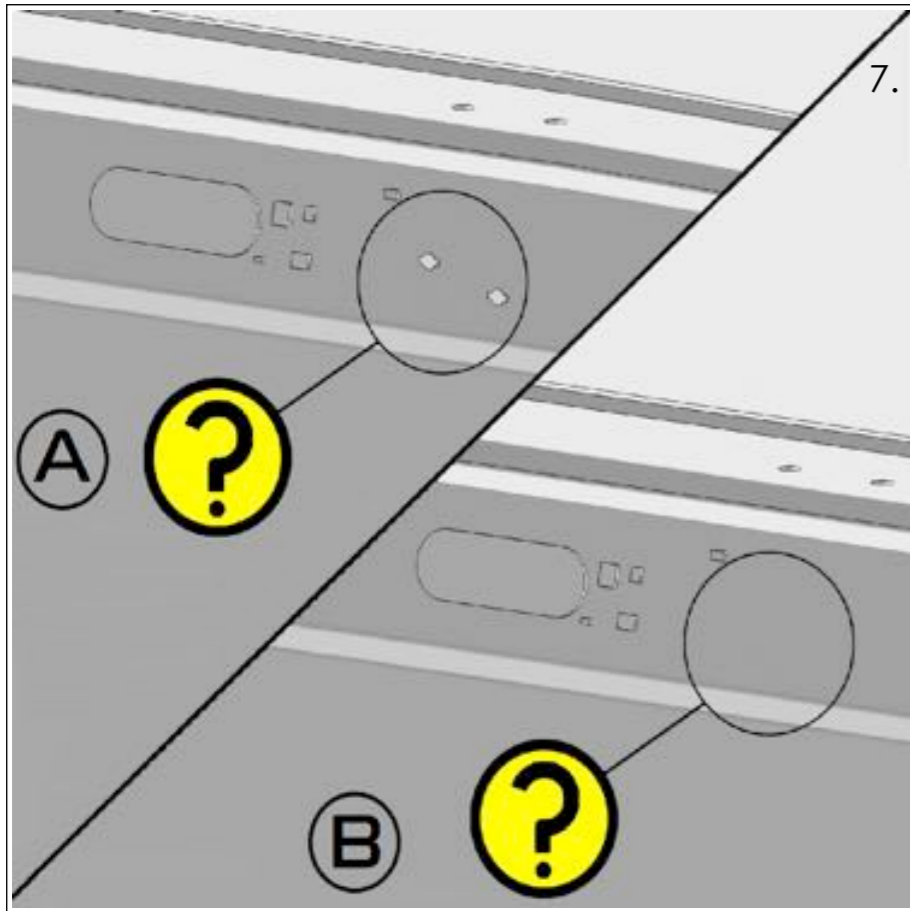
<h1>A607</h1>  <p>55kg</p>	<p>MASTER/MOVANO/NV400 2010-L4, H2</p>  <p>2557mm 4332mm 6848mm</p>	<p>AMP24 + AMP20 = 4.4m</p>  <p>x 13 x 13 200mm 925mm 1457mm 848mm 650mm</p>
--	---	--

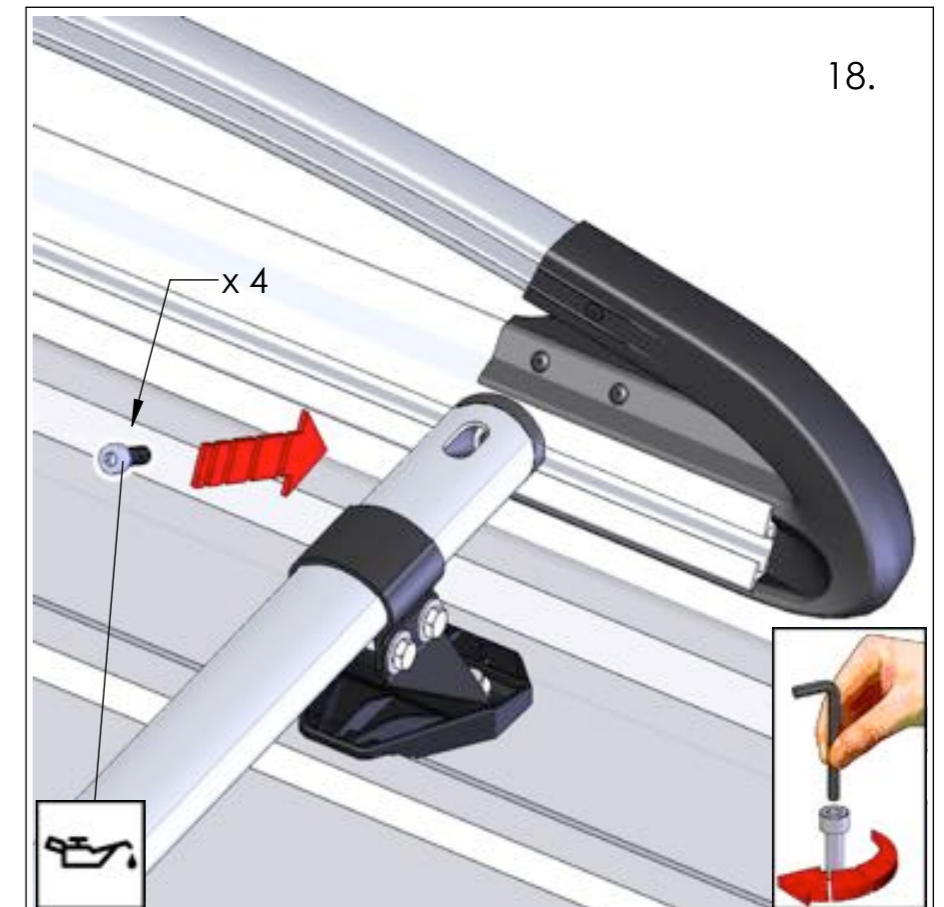
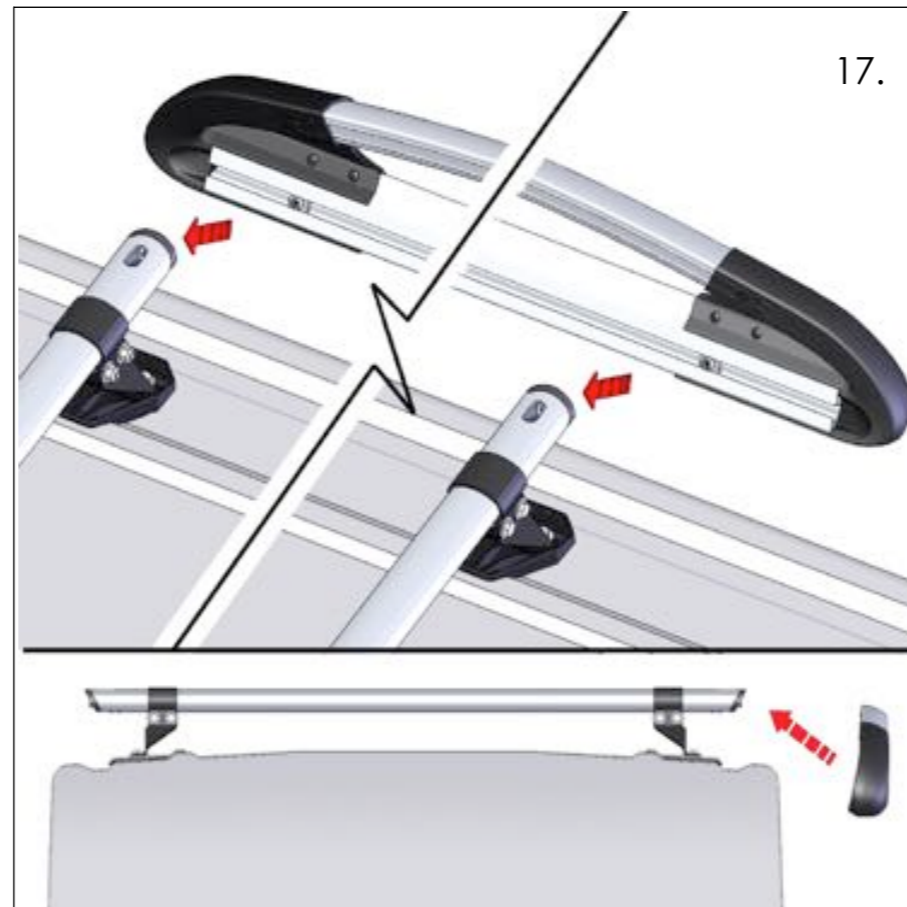
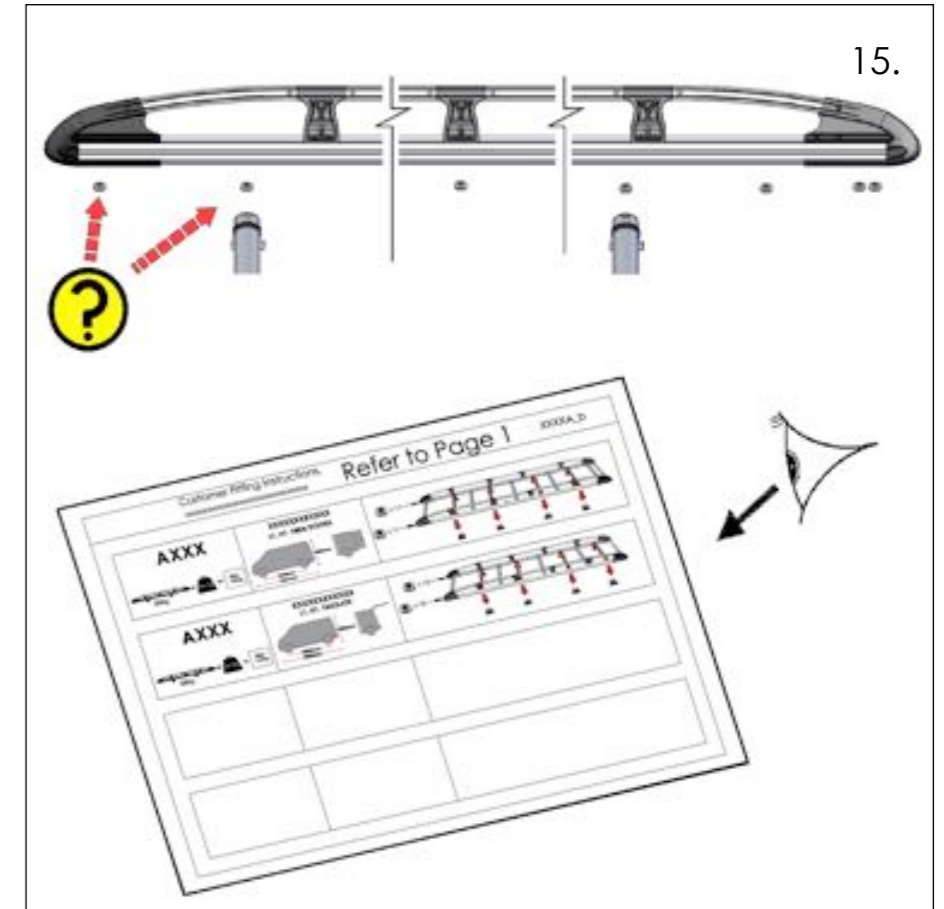
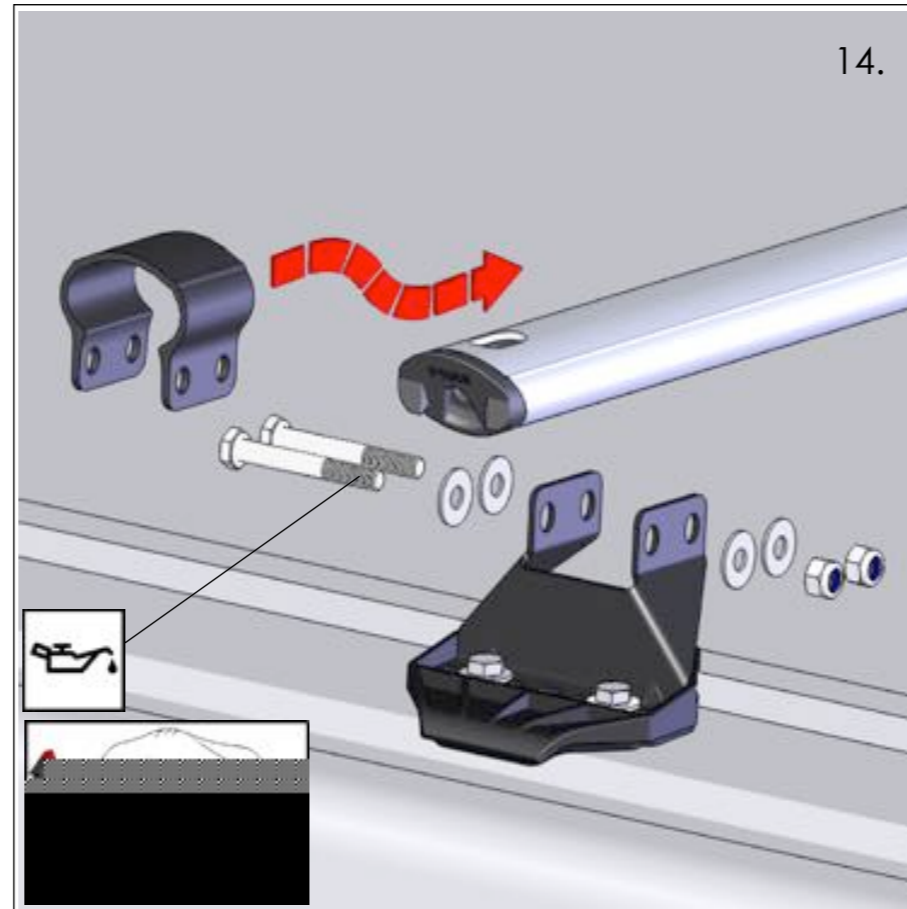
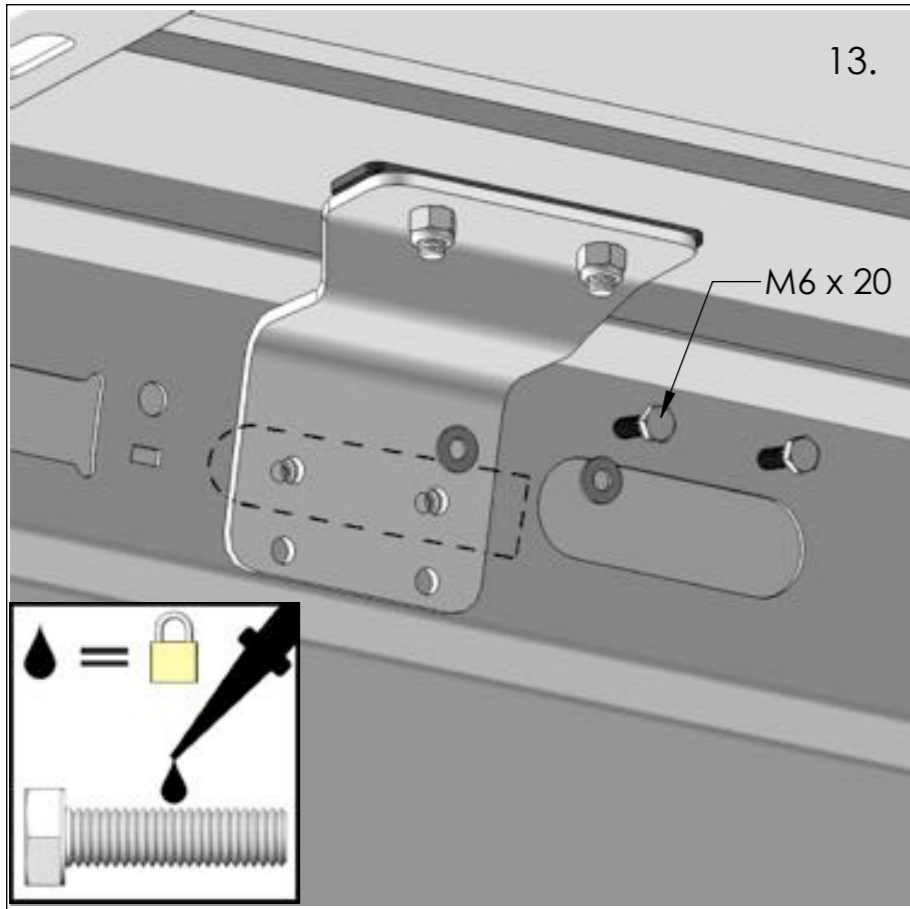
--	--	--

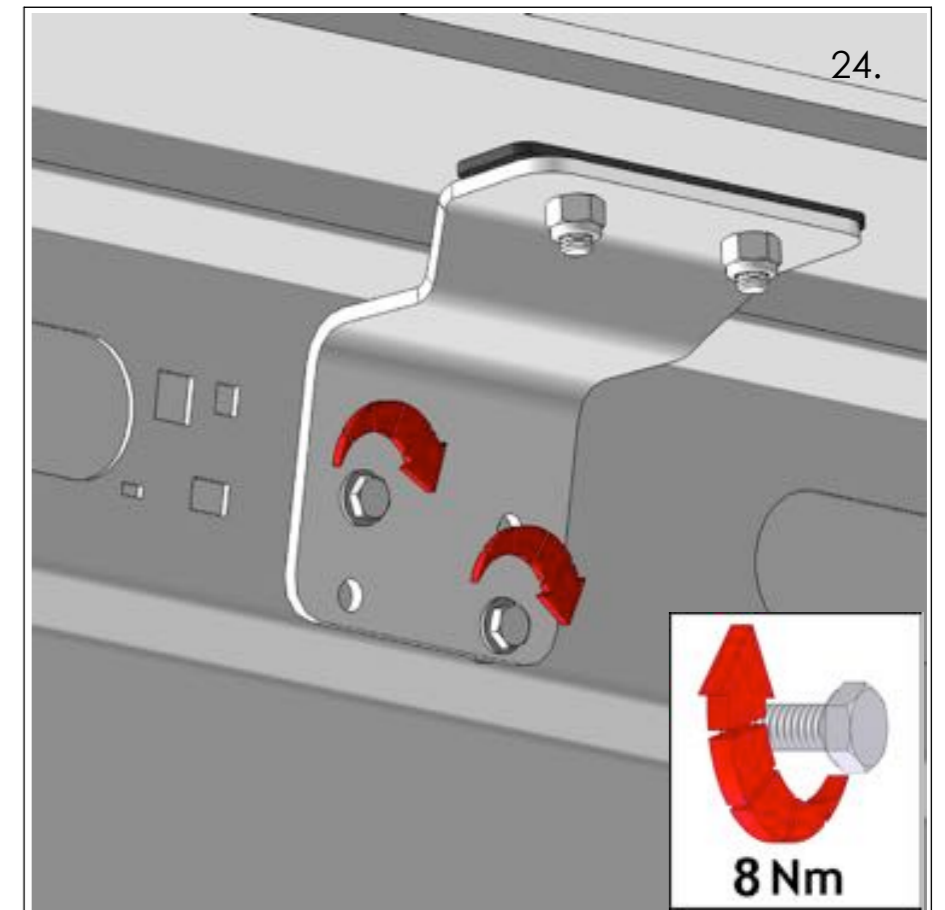
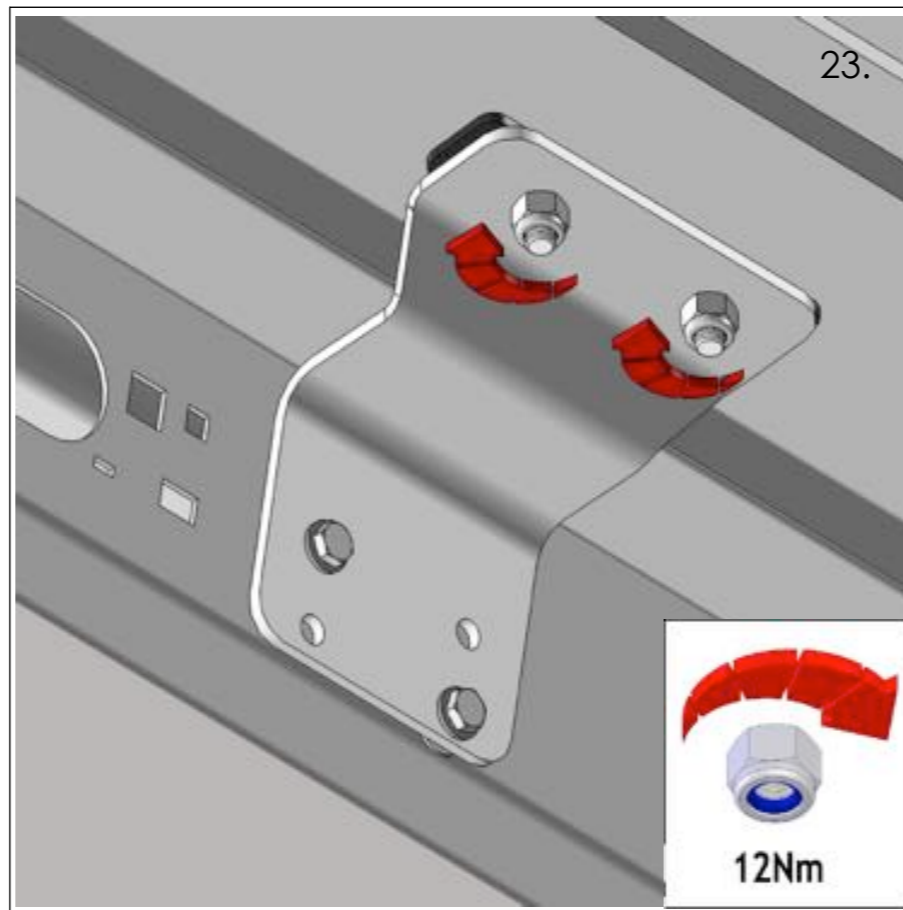
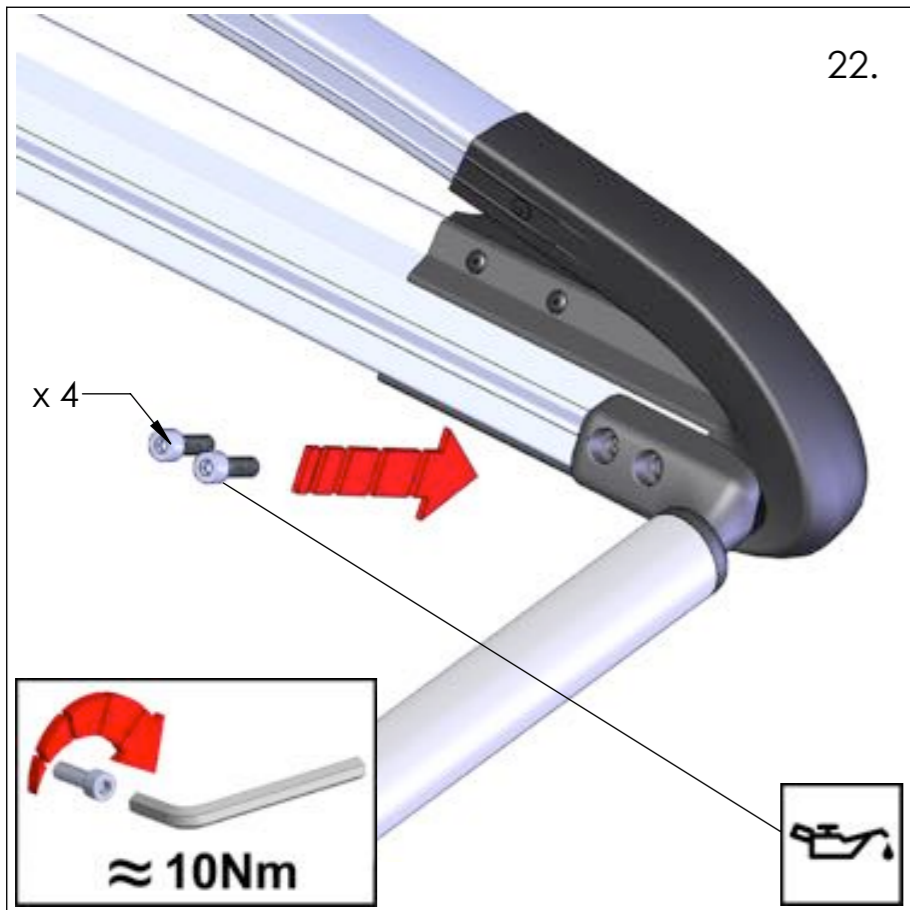
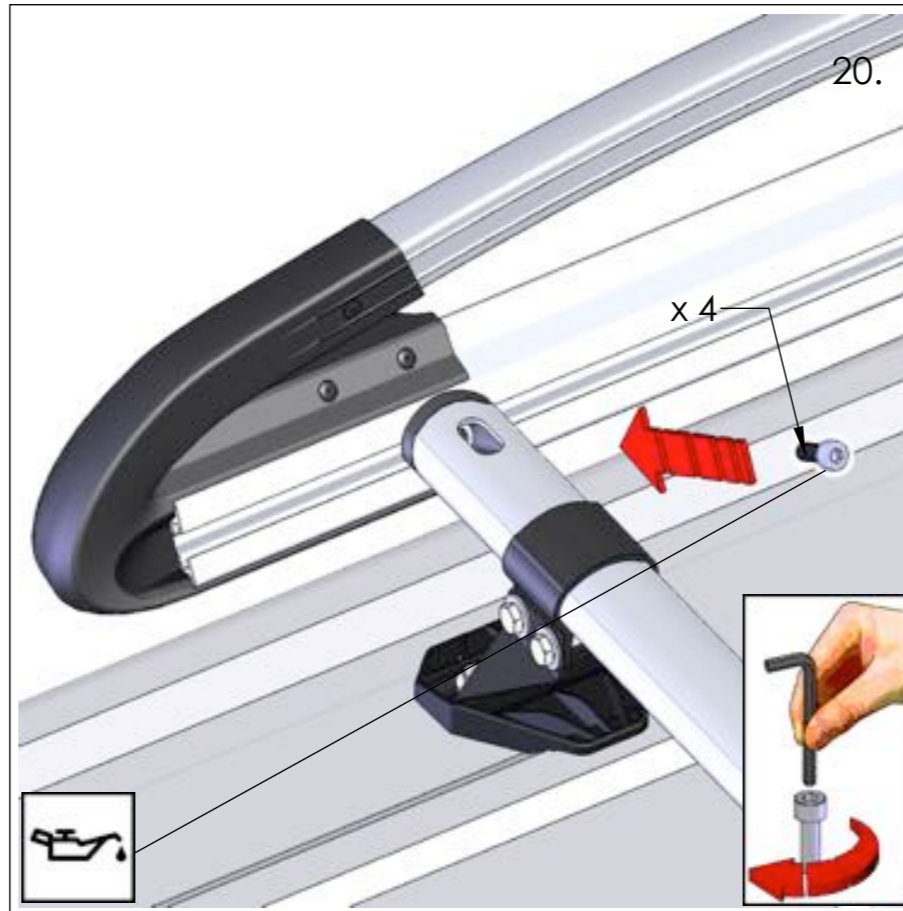
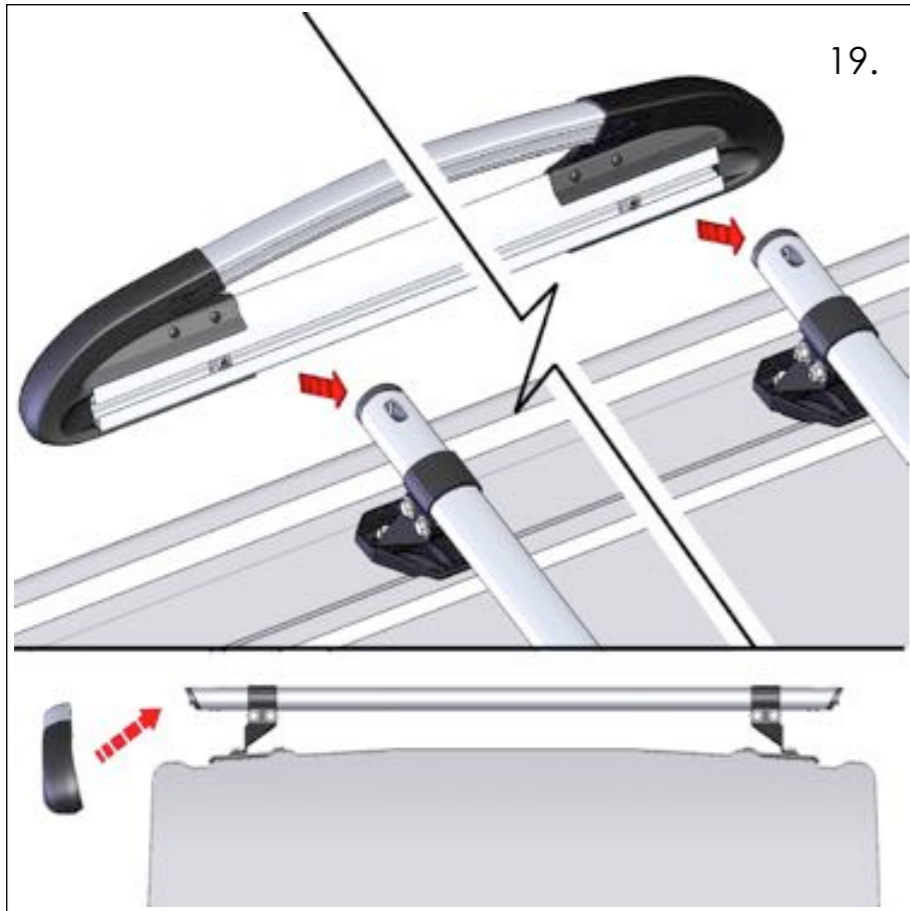
--	--	--

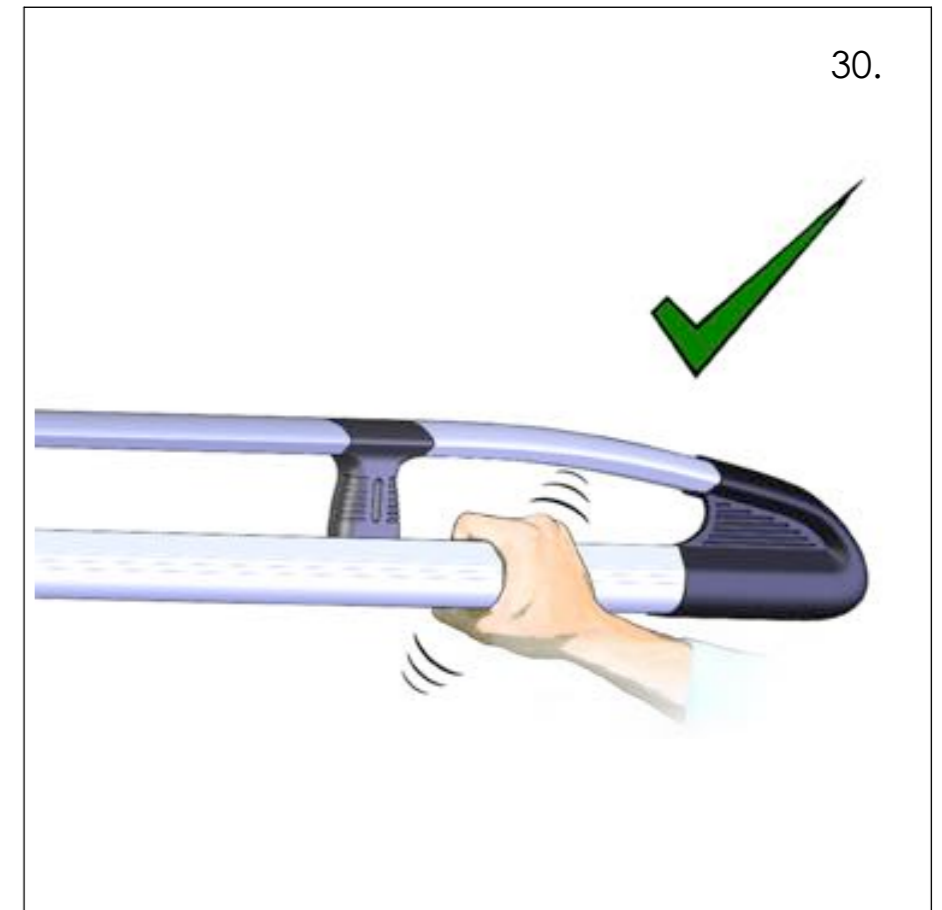
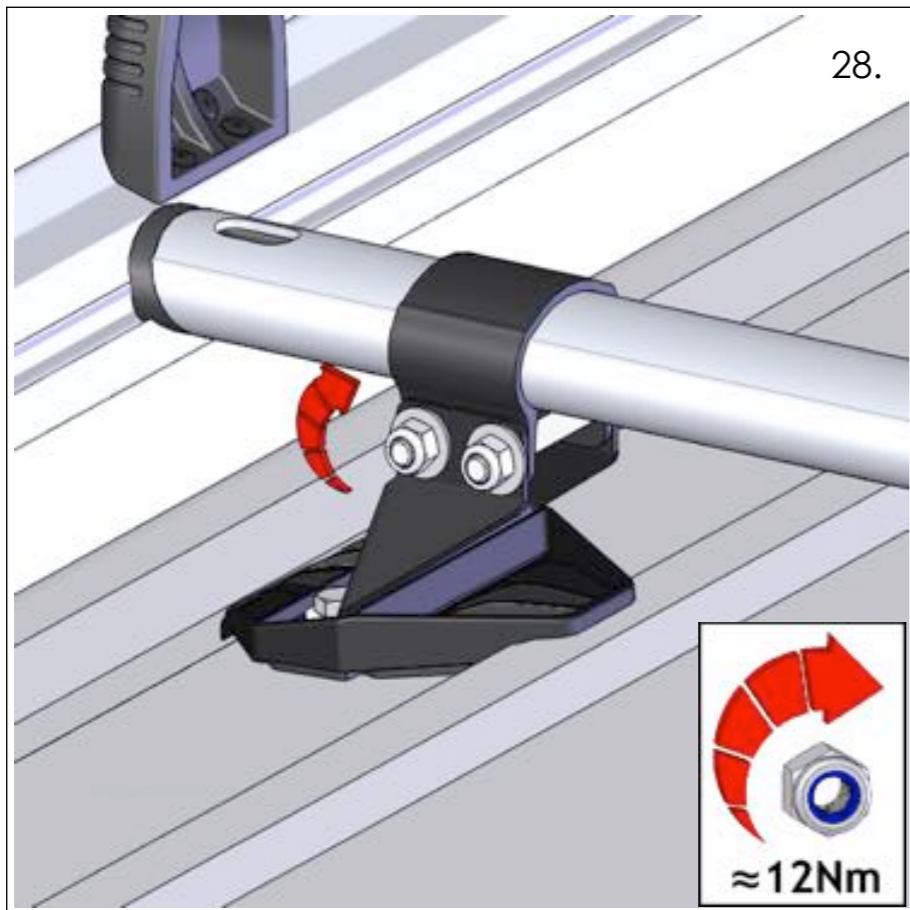
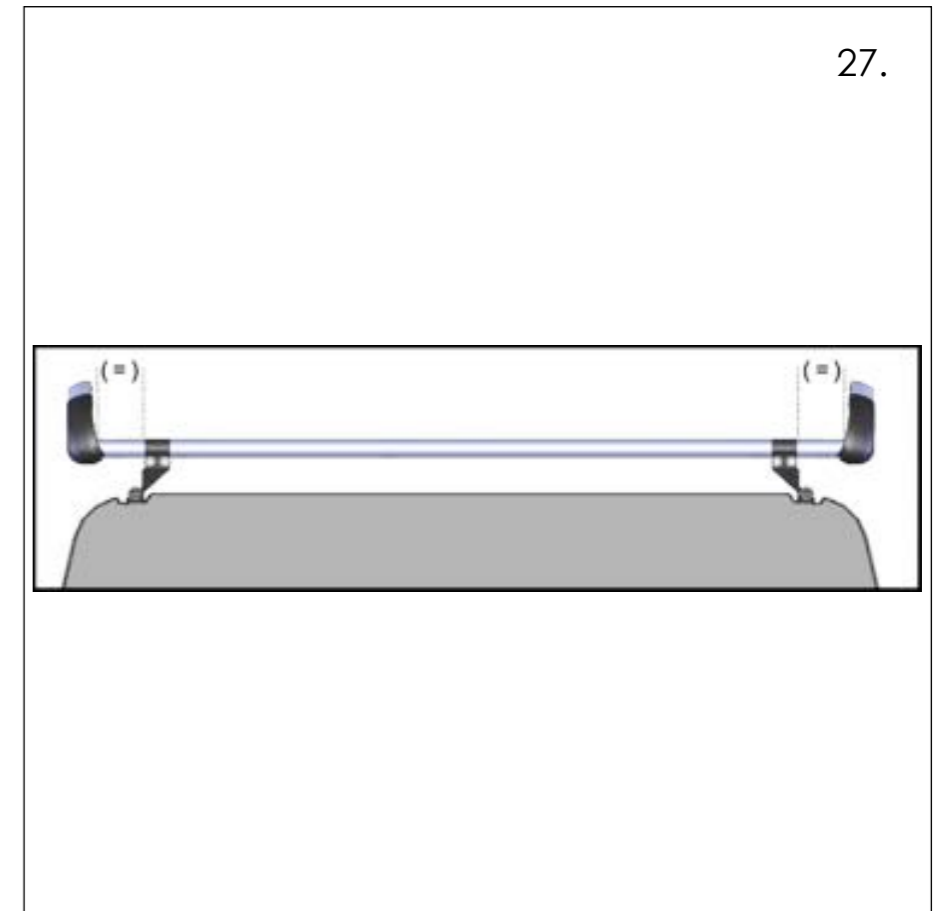
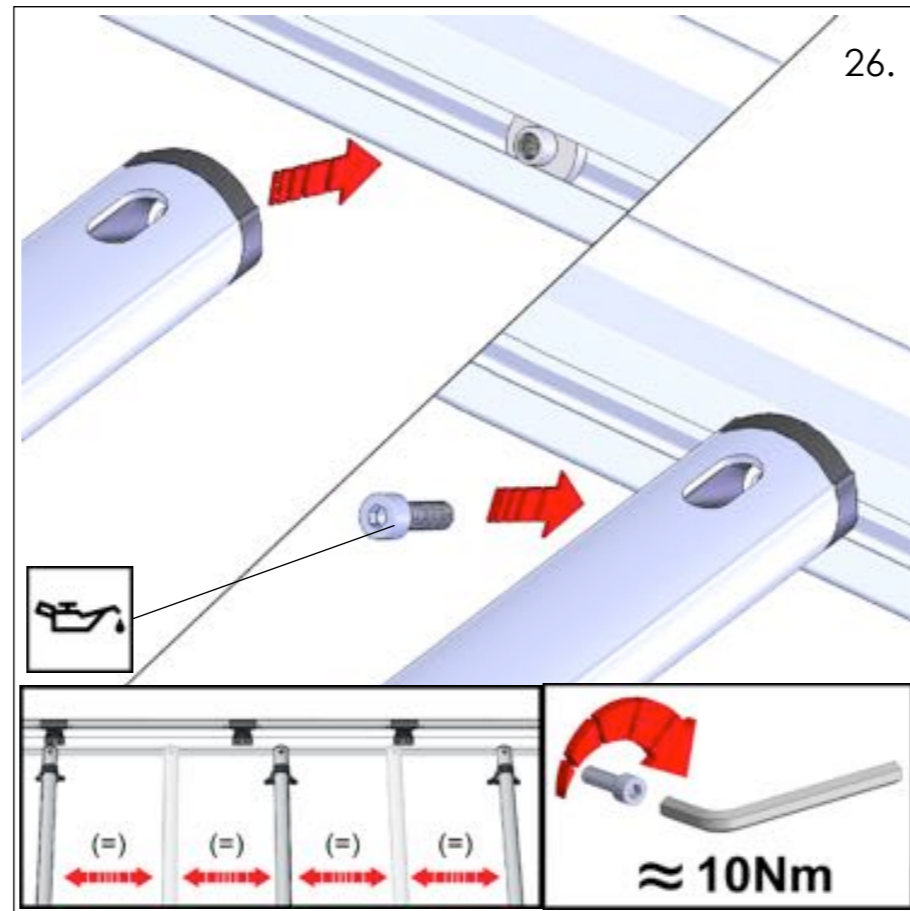
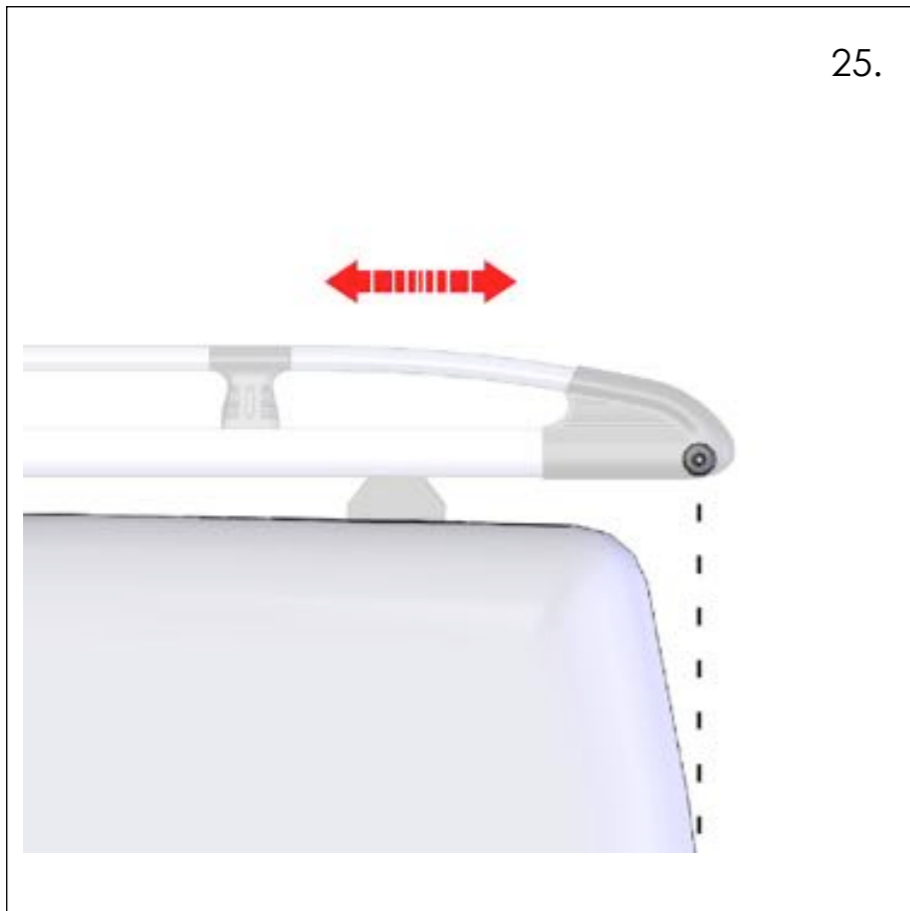












31.

32.

33.

